

**TITLE**

**LISTEN BEFORE TALK PROCEDURE IN A WIRELESS DEVICE AND WIRELESS NETWORK**

**CROSS-REFERENCE TO RELATED APPLICATIONS**

[0001] This application claims the benefit of U.S. Provisional Application No. 62/348,869, filed June 11, 2016, which is hereby incorporated by reference in their entirety.

**BRIEF DESCRIPTION OF THE SEVERAL VIEWS OF THE DRAWINGS**

[0002] Examples of several of the various embodiments of the present disclosure are described herein with reference to the drawings.

[0003] FIG. 1 is a diagram depicting example sets of OFDM subcarriers as per an aspect of an embodiment of the present disclosure.

[0004] FIG. 2 is a diagram depicting an example transmission time and reception time for two carriers in a carrier group as per an aspect of an embodiment of the present disclosure.

[0005] FIG. 3 is an example diagram depicting OFDM radio resources as per an aspect of an embodiment of the present disclosure.

[0006] FIG. 4 is an example block diagram of a base station and a wireless device as per an aspect of an embodiment of the present disclosure.

[0007] FIG. 5A, FIG. 5B, FIG. 5C and FIG. 5D are example diagrams for uplink and downlink signal transmission as per an aspect of an embodiment of the present disclosure.

[0008] FIG. 6 is an example diagram for a protocol structure with CA and DC as per an aspect of an embodiment of the present disclosure.

[0009] FIG. 7 is an example diagram for a protocol structure with CA and DC as per an aspect of an embodiment of the present disclosure.

[0010] FIG. 8 shows example TAG configurations as per an aspect of an embodiment of the present disclosure.

[0011] FIG. 9 is an example message flow in a random access process in a secondary TAG as per an aspect of an embodiment of the present disclosure.

[0012] FIG. 10 is an example diagram depicting a downlink burst as per an aspect of an embodiment of the present disclosure.

[0013] FIG. 11 is an example diagram depicting a plurality of cells as per an aspect of an embodiment of the present disclosure.

[0014] FIG. 12 is an example diagram depicting listen before talk procedures as per an aspect of an embodiment of the present disclosure.

[0015] FIG. 13 is an example diagram depicting listen before talk procedures as per an aspect of an embodiment of the present disclosure.

[0016] FIG. 14 is an example flow diagram as per an aspect of an embodiment of the present disclosure.

### **DETAILED DESCRIPTION OF EMBODIMENTS**

[0017] Example embodiments of the present disclosure enable operation of carrier aggregation. Embodiments of the technology disclosed herein may be employed in the technical field of multicarrier communication systems.

[0018] The following Acronyms are used throughout the present disclosure:

ASIC	application-specific integrated circuit
BPSK	binary phase shift keying
CA	carrier aggregation
CSI	channel state information
CDMA	code division multiple access
CSS	common search space
CPLD	complex programmable logic devices
CC	component carrier
DL	downlink
DCI	downlink control information
DC	dual connectivity
EPC	evolved packet core
E-UTRAN	evolved-universal terrestrial radio access network
FPGA	field programmable gate arrays
FDD	frequency division multiplexing
HDL	hardware description languages
HARQ	hybrid automatic repeat request
IE	information element
LAA	licensed assisted access
LTE	long term evolution
MCG	master cell group
MeNB	master evolved node B

MIB	master information block
MAC	media access control
MAC	media access control
MME	mobility management entity
NAS	non-access stratum
OFDM	orthogonal frequency division multiplexing
PDCP	packet data convergence protocol
PDU	packet data unit
PHY	physical
PDCCH	physical downlink control channel
PHICH	physical HARQ indicator channel
PUCCH	physical uplink control channel
PUSCH	physical uplink shared channel
PCell	primary cell
PCell	primary cell
PCC	primary component carrier
PSCell	primary secondary cell
pTAG	primary timing advance group
QAM	quadrature amplitude modulation
QPSK	quadrature phase shift keying
RBG	Resource Block Groups
RLC	radio link control
RRC	radio resource control
RA	random access
RB	resource blocks
SCC	secondary component carrier
SCell	secondary cell
Scell	secondary cells
SCG	secondary cell group
SeNB	secondary evolved node B
sTAGs	secondary timing advance group
SDU	service data unit
S-GW	serving gateway
SRB	signaling radio bearer
SC-OFDM	single carrier-OFDM

SFN	system frame number
SIB	system information block
TAI	tracking area identifier
TAT	time alignment timer
TDD	time division duplexing
TDMA	time division multiple access
TA	timing advance
TAG	timing advance group
TB	transport block
UL	uplink
UE	user equipment
VHDL	VHSIC hardware description language

[0019] Example embodiments of the disclosure may be implemented using various physical layer modulation and transmission mechanisms. Example transmission mechanisms may include, but are not limited to: CDMA, OFDM, TDMA, Wavelet technologies, and/or the like. Hybrid transmission mechanisms such as TDMA/CDMA, and OFDM/CDMA may also be employed. Various modulation schemes may be applied for signal transmission in the physical layer. Examples of modulation schemes include, but are not limited to: phase, amplitude, code, a combination of these, and/or the like. An example radio transmission method may implement QAM using BPSK, QPSK, 16-QAM, 64-QAM, 256-QAM, and/or the like. Physical radio transmission may be enhanced by dynamically or semi-dynamically changing the modulation and coding scheme depending on transmission requirements and radio conditions.

[0020] FIG. 1 is a diagram depicting example sets of OFDM subcarriers as per an aspect of an embodiment of the present disclosure. As illustrated in this example, arrow(s) in the diagram may depict a subcarrier in a multicarrier OFDM system. The OFDM system may use technology such as OFDM technology, DFTS-OFDM, SC-OFDM technology, or the like. For example, arrow 101 shows a subcarrier transmitting information symbols. FIG. 1 is for illustration purposes, and a typical multicarrier OFDM system may include more subcarriers in a carrier. For example, the number of subcarriers in a carrier may be in the range of 10 to 10,000 subcarriers. FIG. 1 shows two guard bands 106 and 107 in a transmission band. As illustrated in FIG. 1, guard band 106 is between subcarriers 103 and subcarriers 104. The example set of subcarriers A 102 includes subcarriers 103 and subcarriers 104. FIG. 1 also illustrates an example set of subcarriers B 105. As illustrated, there is no guard band between any two subcarriers in the example set of subcarriers B 105. Carriers in a multicarrier OFDM

communication system may be contiguous carriers, non-contiguous carriers, or a combination of both contiguous and non-contiguous carriers.

[0021] FIG. 2 is a diagram depicting an example transmission time and reception time for two carriers as per an aspect of an embodiment of the present disclosure. A multicarrier OFDM communication system may include one or more carriers, for example, ranging from 1 to 10 carriers. Carrier A 204 and carrier B 205 may have the same or different timing structures. Although FIG. 2 shows two synchronized carriers, carrier A 204 and carrier B 205 may or may not be synchronized with each other. Different radio frame structures may be supported for FDD and TDD duplex mechanisms. FIG. 2 shows an example FDD frame timing. Downlink and uplink transmissions may be organized into radio frames 201. In this example, the radio frame duration is 10 msec. Other frame durations, for example, in the range of 1 to 100 msec may also be supported. In this example, each 10 ms radio frame 201 may be divided into ten equally sized subframes 202. Other subframe durations such as 0.5 msec, 1 msec, 2 msec, and 5 msec may also be supported. Subframe(s) may consist of two or more slots (for example, slots 206 and 207). For the example of FDD, 10 subframes may be available for downlink transmission and 10 subframes may be available for uplink transmissions in each 10 ms interval. Uplink and downlink transmissions may be separated in the frequency domain. Slot(s) may include a plurality of OFDM symbols 203. The number of OFDM symbols 203 in a slot 206 may depend on the cyclic prefix length and subcarrier spacing.

[0022] FIG. 3 is a diagram depicting OFDM radio resources as per an aspect of an embodiment of the present disclosure. The resource grid structure in time 304 and frequency 305 is illustrated in FIG. 3. The quantity of downlink subcarriers or RBs (in this example 6 to 100 RBs) may depend, at least in part, on the downlink transmission bandwidth 306 configured in the cell. The smallest radio resource unit may be called a resource element (*e.g.* 301). Resource elements may be grouped into resource blocks (*e.g.* 302). Resource blocks may be grouped into larger radio resources called Resource Block Groups (RBG) (*e.g.* 303). The transmitted signal in slot 206 may be described by one or several resource grids of a plurality of subcarriers and a plurality of OFDM symbols. Resource blocks may be used to describe the mapping of certain physical channels to resource elements. Other pre-defined groupings of physical resource elements may be implemented in the system depending on the radio technology. For example, 24 subcarriers may be grouped as a radio block for a duration of 5 msec. In an illustrative example, a resource block may correspond to one slot in the time domain and 180 kHz in the frequency domain (for 15 KHz subcarrier bandwidth and 12 subcarriers).

[0023] FIG. 5A, FIG. 5B, FIG. 5C and FIG. 5D are example diagrams for uplink and downlink signal transmission as per an aspect of an embodiment of the present disclosure. FIG. 5A shows an example uplink physical channel. The baseband signal representing the physical uplink shared channel may perform the following processes. These functions are illustrated as examples and it is anticipated that other mechanisms may be implemented in various embodiments. The functions may comprise scrambling, modulation of scrambled bits to generate complex-valued symbols, mapping of the complex-valued modulation symbols onto one or several transmission layers, transform precoding to generate complex-valued symbols, precoding of the complex-valued symbols, mapping of precoded complex-valued symbols to resource elements, generation of complex-valued time-domain DFTS-OFDM/SC-FDMA signal for each antenna port, and/or the like.

[0024] Example modulation and up-conversion to the carrier frequency of the complex-valued DFTS-OFDM/SC-FDMA baseband signal for each antenna port and/or the complex-valued PRACH baseband signal is shown in FIG. 5B. Filtering may be employed prior to transmission.

[0025] An example structure for Downlink Transmissions is shown in FIG. 5C. The baseband signal representing a downlink physical channel may perform the following processes. These functions are illustrated as examples and it is anticipated that other mechanisms may be implemented in various embodiments. The functions include scrambling of coded bits in each of the codewords to be transmitted on a physical channel; modulation of scrambled bits to generate complex-valued modulation symbols; mapping of the complex-valued modulation symbols onto one or several transmission layers; precoding of the complex-valued modulation symbols on each layer for transmission on the antenna ports; mapping of complex-valued modulation symbols for each antenna port to resource elements; generation of complex-valued time-domain OFDM signal for each antenna port, and/or the like.

[0026] Example modulation and up-conversion to the carrier frequency of the complex-valued OFDM baseband signal for each antenna port is shown in FIG. 5D. Filtering may be employed prior to transmission.

[0027] FIG. 4 is an example block diagram of a base station 401 and a wireless device 406, as per an aspect of an embodiment of the present disclosure. A communication network 400 may include at least one base station 401 and at least one wireless device 406. The base station 401 may include at least one communication interface 402, at least one processor 403, and at least one set of program code instructions 405 stored in non-transitory memory 404 and executable by the at least one processor 403. The wireless device 406 may include at least

one communication interface 407, at least one processor 408, and at least one set of program code instructions 410 stored in non-transitory memory 409 and executable by the at least one processor 408. Communication interface 402 in base station 401 may be configured to engage in communication with communication interface 407 in wireless device 406 via a communication path that includes at least one wireless link 411. Wireless link 411 may be a bi-directional link. Communication interface 407 in wireless device 406 may also be configured to engage in a communication with communication interface 402 in base station 401. Base station 401 and wireless device 406 may be configured to send and receive data over wireless link 411 using multiple frequency carriers. According to aspects of an embodiments, transceiver(s) may be employed. A transceiver is a device that includes both a transmitter and receiver. Transceivers may be employed in devices such as wireless devices, base stations, relay nodes, and/or the like. Example embodiments for radio technology implemented in communication interface 402, 407 and wireless link 411 are illustrated are FIG. 1, FIG. 2, FIG. 3, FIG. 5, and associated text.

[0028] An interface may be a hardware interface, a firmware interface, a software interface, and/or a combination thereof. The hardware interface may include connectors, wires, electronic devices such as drivers, amplifiers, and/or the like. A software interface may include code stored in a memory device to implement protocol(s), protocol layers, communication drivers, device drivers, combinations thereof, and/or the like. A firmware interface may include a combination of embedded hardware and code stored in and/or in communication with a memory device to implement connections, electronic device operations, protocol(s), protocol layers, communication drivers, device drivers, hardware operations, combinations thereof, and/or the like.

[0029] The term configured may relate to the capacity of a device whether the device is in an operational or non-operational state. Configured may also refer to specific settings in a device that effect the operational characteristics of the device whether the device is in an operational or non-operational state. In other words, the hardware, software, firmware, registers, memory values, and/or the like may be “configured” within a device, whether the device is in an operational or nonoperational state, to provide the device with specific characteristics. Terms such as “a control message to cause in a device” may mean that a control message has parameters that may be used to configure specific characteristics in the device, whether the device is in an operational or non-operational state.

[0030] According to various aspects of an embodiment, an LTE network may include a multitude of base stations, providing a user plane PDCP/RLC/MAC/PHY and control plane (RRC) protocol terminations towards the wireless device. The base station(s) may be

interconnected with other base station(s) (for example, interconnected employing an X2 interface). Base stations may also be connected employing, for example, an S1 interface to an EPC. For example, base stations may be interconnected to the MME employing the S1-MME interface and to the S-G) employing the S1-U interface. The S1 interface may support a many-to-many relation between MMEs / Serving Gateways and base stations. A base station may include many sectors for example: 1, 2, 3, 4, or 6 sectors. A base station may include many cells, for example, ranging from 1 to 50 cells or more. A cell may be categorized, for example, as a primary cell or secondary cell. At RRC connection establishment/re-establishment/handover, one serving cell may provide the NAS (non-access stratum) mobility information (*e.g.* TAI), and at RRC connection re-establishment/handover, one serving cell may provide the security input. This cell may be referred to as the Primary Cell (PCell). In the downlink, the carrier corresponding to the PCell may be the Downlink Primary Component Carrier (DL PCC), while in the uplink, the carrier corresponding to the PCell may be the Uplink Primary Component Carrier (UL PCC). Depending on wireless device capabilities, Secondary Cells (SCells) may be configured to form together with the PCell a set of serving cells. In the downlink, the carrier corresponding to an SCell may be a Downlink Secondary Component Carrier (DL SCC), while in the uplink, it may be an Uplink Secondary Component Carrier (UL SCC). An SCell may or may not have an uplink carrier.

[0031] A cell, comprising a downlink carrier and optionally an uplink carrier, may be assigned a physical cell ID and a cell index. A carrier (downlink or uplink) may belong to only one cell. The cell ID or Cell index may also identify the downlink carrier or uplink carrier of the cell (depending on the context it is used). In the specification, cell ID may be equally referred to a carrier ID, and cell index may be referred to carrier index. In implementation, the physical cell ID or cell index may be assigned to a cell. A cell ID may be determined using a synchronization signal transmitted on a downlink carrier. A cell index may be determined using RRC messages. For example, when the specification refers to a first physical cell ID for a first downlink carrier, the specification may mean the first physical cell ID is for a cell comprising the first downlink carrier. The same concept may apply, for example, to carrier activation. When the specification indicates that a first carrier is activated, the specification may also mean that the cell comprising the first carrier is activated.

[0032] Embodiments may be configured to operate as needed. The disclosed mechanism may be performed when certain criteria are met, for example, in a wireless device, a base station, a radio environment, a network, a combination of the above, and/or the like. Example criteria may be based, at least in part, on for example, traffic load, initial system set up, packet sizes, traffic characteristics, a combination of the above, and/or the like. When the one or



more criteria are met, various example embodiments may be applied. Therefore, it may be possible to implement example embodiments that selectively implement disclosed protocols.

[0033] A base station may communicate with a mix of wireless devices. Wireless devices may support multiple technologies, and/or multiple releases of the same technology. Wireless devices may have some specific capability(ies) depending on its wireless device category and/or capability(ies). A base station may comprise multiple sectors. When this disclosure refers to a base station communicating with a plurality of wireless devices, this disclosure may refer to a subset of the total wireless devices in a coverage area. This disclosure may refer to, for example, a plurality of wireless devices of a given LTE release with a given capability and in a given sector of the base station. The plurality of wireless devices in this disclosure may refer to a selected plurality of wireless devices, and/or a subset of total wireless devices in a coverage area which perform according to disclosed methods, and/or the like. There may be a plurality of wireless devices in a coverage area that may not comply with the disclosed methods, for example, because those wireless devices perform based on older releases of LTE technology.

[0034] FIG. 6 and FIG. 7 are example diagrams for protocol structure with CA and DC as per an aspect of an embodiment of the present disclosure. E-UTRAN may support Dual Connectivity (DC) operation whereby a multiple RX/TX UE in RRC\_CONNECTED may be configured to utilize radio resources provided by two schedulers located in two eNBs connected via a non-ideal backhaul over the X2 interface. eNBs involved in DC for a certain UE may assume two different roles: an eNB may either act as an MeNB or as an SeNB. In DC a UE may be connected to one MeNB and one SeNB. Mechanisms implemented in DC may be extended to cover more than two eNBs. FIG. 7 illustrates one example structure for the UE side MAC entities when a Master Cell Group (MCG) and a Secondary Cell Group (SCG) are configured, and it may not restrict implementation. Media Broadcast Multicast Service (MBMS) reception is not shown in this figure for simplicity.

[0035] In DC, the radio protocol architecture that a particular bearer uses may depend on how the bearer is setup. Three alternatives may exist, an MCG bearer, an SCG bearer and a split bearer as shown in FIG. 6. RRC may be located in MeNB and SRBs may be configured as a MCG bearer type and may use the radio resources of the MeNB. DC may also be described as having at least one bearer configured to use radio resources provided by the SeNB. DC may or may not be configured/implemented in example embodiments of the disclosure.

[0036] In the case of DC, the UE may be configured with two MAC entities: one MAC entity for MeNB, and one MAC entity for SeNB. In DC, the configured set of serving cells

for a UE may comprise two subsets: the Master Cell Group (MCG) containing the serving cells of the MeNB, and the Secondary Cell Group (SCG) containing the serving cells of the SeNB. For a SCG, one or more of the following may be applied. At least one cell in the SCG may have a configured UL CC and one of them, named PSCell (or PCell of SCG, or sometimes called PCell), may be configured with PUCCH resources. When the SCG is configured, there may be at least one SCG bearer or one Split bearer. Upon detection of a physical layer problem or a random access problem on a PSCell, or the maximum number of RLC retransmissions has been reached associated with the SCG, or upon detection of an access problem on a PSCell during a SCG addition or a SCG change: a RRC connection re-establishment procedure may not be triggered, UL transmissions towards cells of the SCG may be stopped, and a MeNB may be informed by the UE of a SCG failure type. For split bearer, the DL data transfer over the MeNB may be maintained. The RLC AM bearer may be configured for the split bearer. Like a PCell, a PSCell may not be de-activated. A PSCell may be changed with a SCG change (for example, with a security key change and a RACH procedure), and/or neither a direct bearer type change between a Split bearer and a SCG bearer nor simultaneous configuration of a SCG and a Split bearer may be supported.

[0037] With respect to the interaction between a MeNB and a SeNB, one or more of the following principles may be applied. The MeNB may maintain the RRM measurement configuration of the UE and may, (for example, based on received measurement reports or traffic conditions or bearer types), decide to ask a SeNB to provide additional resources (serving cells) for a UE. Upon receiving a request from the MeNB, a SeNB may create a container that may result in the configuration of additional serving cells for the UE (or decide that it has no resource available to do so). For UE capability coordination, the MeNB may provide (part of) the AS configuration and the UE capabilities to the SeNB. The MeNB and the SeNB may exchange information about a UE configuration by employing RRC containers (inter-node messages) carried in X2 messages. The SeNB may initiate a reconfiguration of its existing serving cells (for example, a PUCCH towards the SeNB). The SeNB may decide which cell is the PSCell within the SCG. The MeNB may not change the content of the RRC configuration provided by the SeNB. In the case of a SCG addition and a SCG SCell addition, the MeNB may provide the latest measurement results for the SCG cell(s). Both a MeNB and a SeNB may know the SFN and subframe offset of each other by OAM, (for example, for the purpose of DRX alignment and identification of a measurement gap). In an example, when adding a new SCG SCell, dedicated RRC signaling may be used for sending required system information of the cell as for CA, except for the SFN acquired from a MIB of the PSCell of a SCG.

[0038] In an example, serving cells may be grouped in a TA group (TAG). Serving cells in one TAG may use the same timing reference. For a given TAG, user equipment (UE) may use at least one downlink carrier as a timing reference. For a given TAG, a UE may synchronize uplink subframe and frame transmission timing of uplink carriers belonging to the same TAG. In an example, serving cells having an uplink to which the same TA applies may correspond to serving cells hosted by the same receiver. A UE supporting multiple TAs may support two or more TA groups. One TA group may contain the PCell and may be called a primary TAG (pTAG). In a multiple TAG configuration, at least one TA group may not contain the PCell and may be called a secondary TAG (sTAG). In an example, carriers within the same TA group may use the same TA value and/or the same timing reference. When DC is configured, cells belonging to a cell group (MCG or SCG) may be grouped into multiple TAGs including a pTAG and one or more sTAGs.

[0039] FIG. 8 shows example TAG configurations as per an aspect of an embodiment of the present disclosure. In Example 1, pTAG comprises a PCell, and an sTAG comprises SCell1. In Example 2, a pTAG comprises a PCell and SCell1, and an sTAG comprises SCell2 and SCell3. In Example 3, pTAG comprises PCell and SCell1, and an sTAG1 includes SCell2 and SCell3, and sTAG2 comprises SCell4. Up to four TAGs may be supported in a cell group (MCG or SCG) and other example TAG configurations may also be provided. In various examples in this disclosure, example mechanisms are described for a pTAG and an sTAG. Some of the example mechanisms may be applied to configurations with multiple sTAGs.

[0040] In an example, an eNB may initiate an RA procedure via a PDCCH order for an activated SCell. This PDCCH order may be sent on a scheduling cell of this SCell. When cross carrier scheduling is configured for a cell, the scheduling cell may be different than the cell that is employed for preamble transmission, and the PDCCH order may include an SCell index. At least a non-contention based RA procedure may be supported for SCell(s) assigned to sTAG(s).

[0041] FIG. 9 is an example message flow in a random access process in a secondary TAG as per an aspect of an embodiment of the present disclosure. An eNB transmits an activation command 600 to activate an SCell. A preamble 602 (Msg1) may be sent by a UE in response to a PDCCH order 601 on an SCell belonging to an sTAG. In an example embodiment, preamble transmission for SCells may be controlled by the network using PDCCH format 1A. Msg2 message 603 (RAR: random access response) in response to the preamble transmission on the SCell may be addressed to RA-RNTI in a PCell common search space (CSS). Uplink packets 604 may be transmitted on the SCell in which the preamble was transmitted.

[0042] According to an embodiment, initial timing alignment may be achieved through a random access procedure. This may involve a UE transmitting a random access preamble and an eNB responding with an initial TA command NTA (amount of timing advance) within a random access response window. The start of the random access preamble may be aligned with the start of a corresponding uplink subframe at the UE assuming NTA=0. The eNB may estimate the uplink timing from the random access preamble transmitted by the UE. The TA command may be derived by the eNB based on the estimation of the difference between the desired UL timing and the actual UL timing. The UE may determine the initial uplink transmission timing relative to the corresponding downlink of the sTAG on which the preamble is transmitted.

[0043] The mapping of a serving cell to a TAG may be configured by a serving eNB with RRC signaling. The mechanism for TAG configuration and reconfiguration may be based on RRC signaling. According to various aspects of an embodiment, when an eNB performs an SCell addition configuration, the related TAG configuration may be configured for the SCell. In an example embodiment, an eNB may modify the TAG configuration of an SCell by removing (releasing) the SCell and adding (configuring) a new SCell (with the same physical cell ID and frequency) with an updated TAG ID. The new SCell with the updated TAG ID may initially be inactive subsequent to being assigned the updated TAG ID. The eNB may activate the updated new SCell and start scheduling packets on the activated SCell. In an example implementation, it may not be possible to change the TAG associated with an SCell, but rather, the SCell may need to be removed and a new SCell may need to be added with another TAG. For example, if there is a need to move an SCell from an sTAG to a pTAG, at least one RRC message, (for example, at least one RRC reconfiguration message), may be sent to the UE to reconfigure TAG configurations by releasing the SCell and then configuring the SCell as a part of the pTAG. When an SCell is added/configured without a TAG index, the SCell may be explicitly assigned to the pTAG. The PCell may not change its TA group and may be a member of the pTAG.

[0044] The purpose of an RRC connection reconfiguration procedure may be to modify an RRC connection, (for example, to establish, modify and/or release RBs, to perform handover, to setup, modify, and/or release measurements, to add, modify, and/or release SCells). If the received RRC Connection Reconfiguration message includes the sCellToReleaseList, the UE may perform an SCell release. If the received RRC Connection Reconfiguration message includes the sCellToAddModList, the UE may perform SCell additions or modification.

[0045] In LTE Release-10 and Release-11 CA, a PUCCH may only be transmitted on the PCell (PSCell) to an eNB. In LTE-Release 12 and earlier, a UE may transmit PUCCH information on one cell (PCell or PSCell) to a given eNB.

[0046] As the number of CA capable UEs and also the number of aggregated carriers increase, the number of PUCCHs and also the PUCCH payload size may increase. Accommodating the PUCCH transmissions on the PCell may lead to a high PUCCH load on the PCell. A PUCCH on an SCell may be introduced to offload the PUCCH resource from the PCell. More than one PUCCH may be configured for example, a PUCCH on a PCell and another PUCCH on an SCell. In the example embodiments, one, two or more cells may be configured with PUCCH resources for transmitting CSI/ACK/NACK to a base station. Cells may be grouped into multiple PUCCH groups, and one or more cell within a group may be configured with a PUCCH. In an example configuration, one SCell may belong to one PUCCH group. SCells with a configured PUCCH transmitted to a base station may be called a PUCCH SCell, and a cell group with a common PUCCH resource transmitted to the same base station may be called a PUCCH group.

[0047] In an example embodiment, a MAC entity may have a configurable timer `timeAlignmentTimer` per TAG. The `timeAlignmentTimer` may be used to control how long the MAC entity considers the Serving Cells belonging to the associated TAG to be uplink time aligned. The MAC entity may, when a Timing Advance Command MAC control element is received, apply the Timing Advance Command for the indicated TAG; start or restart the `timeAlignmentTimer` associated with the indicated TAG. The MAC entity may, when a Timing Advance Command is received in a Random Access Response message for a serving cell belonging to a TAG and/or if the Random Access Preamble was not selected by the MAC entity, apply the Timing Advance Command for this TAG and start or restart the `timeAlignmentTimer` associated with this TAG. Otherwise, if the `timeAlignmentTimer` associated with this TAG is not running, the Timing Advance Command for this TAG may be applied and the `timeAlignmentTimer` associated with this TAG started. When the contention resolution is considered not successful, a `timeAlignmentTimer` associated with this TAG may be stopped. Otherwise, the MAC entity may ignore the received Timing Advance Command.

[0048] In example embodiments, a timer is running once it is started, until it is stopped or until it expires; otherwise it may not be running. A timer can be started if it is not running or restarted if it is running. For example, a timer may be started or restarted from its initial value.

[0049] Example embodiments of the disclosure may enable operation of multi-carrier communications. Other example embodiments may comprise a non-transitory tangible computer readable media comprising instructions executable by one or more processors to

cause operation of multi-carrier communications. Yet other example embodiments may comprise an article of manufacture that comprises a non-transitory tangible computer readable machine-accessible medium having instructions encoded thereon for enabling programmable hardware to cause a device (*e.g.* wireless communicator, UE, base station, etc.) to enable operation of multi-carrier communications. The device may include processors, memory, interfaces, and/or the like. Other example embodiments may comprise communication networks comprising devices such as base stations, wireless devices (or user equipment: UE), servers, switches, antennas, and/or the like.

[0050] The amount of data traffic carried over cellular networks is expected to increase for many years to come. The number of users/devices is increasing and each user/device accesses an increasing number and variety of services, *e.g.* video delivery, large files, images. This may require not only high capacity in the network, but also provisioning very high data rates to meet customers' expectations on interactivity and responsiveness. More spectrum may therefore be needed for cellular operators to meet the increasing demand. Considering user expectations of high data rates along with seamless mobility, it may be beneficial that more spectrum be made available for deploying macro cells as well as small cells for cellular systems.

[0051] Striving to meet the market demands, there has been increasing interest from operators in deploying some complementary access utilizing unlicensed spectrum to meet the traffic growth. This is exemplified by the large number of operator-deployed Wi-Fi networks and the 3GPP standardization of LTE/WLAN interworking solutions. This interest indicates that unlicensed spectrum, when present, may be an effective complement to licensed spectrum for cellular operators to help addressing the traffic explosion in some scenarios, such as hotspot areas. LAA may offer an alternative for operators to make use of unlicensed spectrum while managing one radio network, thus offering new possibilities for optimizing the network's efficiency.

[0052] In an example embodiment, Listen-before-talk (clear channel assessment) may be implemented for transmission in an LAA cell. In a listen-before-talk (LBT) procedure, equipment may apply a clear channel assessment (CCA) check before using the channel. For example, the CCA may utilize at least energy detection to determine the presence or absence of other signals on a channel in order to determine if a channel is occupied or clear, respectively. For example, European and Japanese regulations mandate the usage of LBT in the unlicensed bands. Apart from regulatory requirements, carrier sensing via LBT may be one way for fair sharing of the unlicensed spectrum.

[0053] In an example embodiment, discontinuous transmission on an unlicensed carrier with limited maximum transmission duration may be enabled. Some of these functions may be supported by one or more signals to be transmitted from the beginning of a discontinuous LAA downlink transmission. Channel reservation may be enabled by the transmission of signals, by an LAA node, after gaining channel access via a successful LBT operation, so that other nodes that receive the transmitted signal with energy above a certain threshold sense the channel to be occupied. Functions that may need to be supported by one or more signals for LAA operation with discontinuous downlink transmission may include one or more of the following: detection of the LAA downlink transmission (including cell identification) by UEs, time & frequency synchronization of UEs, and/or the like.

[0054] In an example embodiment, a DL LAA design may employ subframe boundary alignment according to LTE-A carrier aggregation timing relationships across serving cells aggregated by CA. This may not imply that the eNB transmissions can start only at the subframe boundary. LAA may support transmitting PDSCH when not all OFDM symbols are available for transmission in a subframe according to LBT. Delivery of necessary control information for the PDSCH may also be supported.

[0055] An LBT procedure may be employed for fair and friendly coexistence of LAA with other operators and technologies operating in an unlicensed spectrum. LBT procedures on a node attempting to transmit on a carrier in an unlicensed spectrum may require the node to perform a clear channel assessment to determine if the channel is free for use. An LBT procedure may involve at least energy detection to determine if the channel is being used. For example, regulatory requirements in some regions, for example, in Europe, may specify an energy detection threshold such that if a node receives energy greater than this threshold, the node assumes that the channel is not free. While nodes may follow such regulatory requirements, a node may optionally use a lower threshold for energy detection than that specified by regulatory requirements. In an example, LAA may employ a mechanism to adaptively change the energy detection threshold. For example, LAA may employ a mechanism to adaptively lower the energy detection threshold from an upper bound. Adaptation mechanism(s) may not preclude static or semi-static setting of the threshold. In an example a Category 4 LBT mechanism or other type of LBT mechanisms may be implemented.

[0056] Various example LBT mechanisms may be implemented. In an example, for some signals, in some implementation scenarios, in some situations, and/or in some frequencies, no LBT procedure may be performed by the transmitting entity. In an example, Category 2 (for example, LBT without random back-off) may be implemented. The duration of time that the

channel is sensed to be idle before the transmitting entity transmits may be deterministic. In an example, Category 3 (for example, LBT with random back-off with a contention window of fixed size) may be implemented. The LBT procedure may have the following procedure as one of its components. The transmitting entity may draw a random number  $N$  within a contention window. The size of the contention window may be specified by the minimum and maximum value of  $N$ . The size of the contention window may be fixed. The random number  $N$  may be employed in the LBT procedure to determine the duration of time that the channel is sensed to be idle before the transmitting entity transmits on the channel. In an example, Category 4 (for example, LBT with random back-off with a contention window of variable size) may be implemented. The transmitting entity may draw a random number  $N$  within a contention window. The size of the contention window may be specified by a minimum and maximum value of  $N$ . The transmitting entity may vary the size of the contention window when drawing the random number  $N$ . The random number  $N$  may be employed in the LBT procedure to determine the duration of time that the channel is sensed to be idle before the transmitting entity transmits on the channel.

[0057] LAA may employ uplink LBT at the UE. The UL LBT scheme may be different from the DL LBT scheme (for example, by using different LBT mechanisms or parameters), since the LAA UL may be based on scheduled access which affects a UE's channel contention opportunities. Other considerations motivating a different UL LBT scheme include, but are not limited to, multiplexing of multiple UEs in a single subframe.

[0058] In an example, a DL transmission burst may be a continuous transmission from a DL transmitting node with no transmission immediately before or after from the same node on the same CC. A UL transmission burst from a UE perspective may be a continuous transmission from a UE with no transmission immediately before or after from the same UE on the same CC. In an example, a UL transmission burst may be defined from a UE perspective. In an example, a UL transmission burst may be defined from an eNB perspective. In an example, in case of an eNB operating DL+UL LAA over the same unlicensed carrier, DL transmission burst(s) and UL transmission burst(s) on LAA may be scheduled in a TDM manner over the same unlicensed carrier. For example, an instant in time may be part of a DL transmission burst or an UL transmission burst.

[0059] In an example embodiment, in an unlicensed cell, a downlink burst may be started in a subframe. When an eNB accesses the channel, the eNB may transmit for a duration of one or more subframes. The duration may depend on a maximum configured burst duration in an eNB, the data available for transmission, and/or eNB scheduling algorithm. FIG. 10 shows an example downlink burst in an unlicensed (e.g. licensed assisted access) cell. The maximum



configured burst duration in the example embodiment may be configured in the eNB. An eNB may transmit the maximum configured burst duration to a UE employing an RRC configuration message.

[0060] The wireless device may receive from a base station at least one message (for example, an RRC) comprising configuration parameters of a plurality of cells. The plurality of cells may comprise at least one license cell and at least one unlicensed (for example, an LAA cell). The configuration parameters of a cell may, for example, comprise configuration parameters for physical channels, (for example, a ePDCCH, PDSCH, PUSCH, PUCCH and/or the like).

[0061] Frame structure type 3 may be applicable to an unlicensed (for example, LAA) secondary cell operation. In an example, frame structure type 3 may be implemented with normal cyclic prefix only. A radio frame may be  $T_f = 307200 \cdot T_s = 10$  ms long and may comprise 20 slots of length  $T_{\text{slot}} = 15360 \cdot T_s = 0.5$  ms, numbered from 0 to 19. A subframe may be defined as two consecutive slots where subframe  $i$  comprises of slots  $2i$  and  $2i + 1$ . In an example, the 10 subframes within a radio frame may be available for downlink and/or uplink transmissions. Downlink transmissions may occupy one or more consecutive subframes, starting anywhere within a subframe and ending with the last subframe either fully occupied or following one of the DwPTS durations in a 3GPP Frame structure 2 (TDD frame). When an LAA cell is configured for uplink transmissions, frame structure 3 may be used for both uplink or downlink transmission.

[0062] An eNB may transmit one or more RRC messages to a wireless device (UE). The one or more RRC messages may comprise configuration parameters of a plurality of cells comprising one or more licensed cells and/or one or more unlicensed (for example, Licensed Assisted Access-LAA) cells. The one or more RRC messages may comprise configuration parameters for one or more unlicensed (for example, LAA) cells. An LAA cell may be configured for downlink and/or uplink transmissions.

[0063] In an example, the configuration parameters may comprise a first configuration field having a value of  $N$  for an LAA cell. The parameter  $N$  may be RRC configurable.  $N$  may be a cell specific or a UE specific RRC parameter. For example,  $N$  (for example, 6, 8, 16) may indicate a maximum number of HARQ processes that may be configured for UL transmissions. In an example, one or more RRC messages may comprise configuration parameters of multi-subframe allocation parameters, maximum number of HARQ processes in the uplink, and/or other parameters associated with an LAA cell.

[0064] In an example, a UE may receive a downlink control information (DCI) indicating uplink resources (resource blocks for uplink grant) for uplink transmissions.

[0065] In an example embodiment, persistent (also called burst or multi-subframe) scheduling may be implemented. An eNB may schedule uplink transmissions by self scheduling and/or cross scheduling. In an example, an eNB may use UE C-RNTI for transmitting DCIs for multi-subframe grants. A UE may receive a multi-subframe DCI indicating uplink resources (resource blocks for uplink grant) for more than one consecutive uplink subframes (a burst), for example  $m$  subframes. In an example, a UE may transmit  $m$  subpackets (transport blocks-TBs), in response to the DCI grant. FIG. 11 shows an example multi-subframe grant, LBT process, and multi-subframe transmission.

[0066] In an example embodiment, an uplink DCI may comprise one or more fields including uplink RBs, a power control command, an MCS, the number of consecutive subframes ( $m$ ), and/or other parameters for the uplink grant.

[0067] In an example, a multi-subframe DCI may comprise one or more parameters indicating that a DCI grant is a multi-subframe grant. A field in a multi-subframe DCI may indicate the number of scheduled consecutive subframes ( $m$ ). For example, a DCI for an uplink grant on an LAA cell may comprise a 3-bit field. The value indicated by the 3-bit field may indicate the number of subframes associated with the uplink DCI grant (other examples may comprise, for example, a 1-bit field or a 2-bit field). For example, a value 000 may indicate a dynamic grant for one subframe. For example, a field value 011 may indicate a DCI indicating uplink resources for 4 scheduled subframes ( $m = \text{field value in binary} + 1$ ). In an example, RRC configuration parameters may comprise a first configuration field having a value of  $N$  for an LAA cell. In an example implementation, the field value may be configured to be less than  $N$ . For example,  $N$  may be configured as 2, and a maximum number of scheduled subframes in a multi-subframe grant may be 2. In an example,  $N$  may be configured as 4 and a maximum number of scheduled subframes in a multi-subframe grant may be 4. In an example,  $N$  may be a number of configured HARQ processes in an UL. Successive subframes on a carrier may be allocated to a UE when the UE receives a multi-subframe UL DCI grant from an eNB.

[0068] At least one field included in a multi-subframe DCI may determine transmission parameters and resource blocks used across  $m$  consecutive subframes for transmission of one or more TBs. The DCI may comprise an assignment of a plurality of resource blocks for uplink transmissions. The UE may use the RBs indicated in the DCI across  $m$  subframes. The same resource blocks may be allocated to the UE in  $m$  subframes as shown in FIG. 11.

[0069] A UE may perform listen before talk (LBT) before transmitting uplink signals. The UE may perform an LBT procedure indicating that a channel is clear for a starting subframe of the one or more consecutive uplink subframes. The UE may not perform a transmission at

the starting subframe if the LBT procedure indicates that the channel is not clear for the starting subframe.

[0070] In an example embodiment, a wireless device may receive one or more radio resource control (RRC) messages comprising configuration parameters for a licensed assisted access (LAA) cell. The one or more RRC messages may comprise one or more consecutive uplink subframe allocation configuration parameters. In an example, the one or more consecutive uplink subframe allocation configuration parameters comprises a first field,  $N$ .

[0071] A wireless device may receive a downlink control information (DCI) indicating uplink resources in a number of one or more consecutive uplink subframes of the LAA cell. The DCI may comprise: the number of the one or more consecutive uplink subframes ( $m$ ); an assignment of a plurality of resource blocks; and a transmit power control command. The first field may indicate an upper limit for the number of the one or more consecutive uplink subframes.

[0072] The wireless device may perform a listen before talk procedure indicating that a channel is clear for a starting subframe of the one or more consecutive uplink subframes. The wireless device may transmit one or more transport blocks, via the plurality of resource blocks used across the one or more consecutive uplink subframes. At least one field included in a multi-subframe DCI may determine transmission parameters and resource blocks used across  $m$  consecutive subframes for transmission of one or more TBs. The DCI may comprise an assignment of a plurality of resource blocks for uplink transmissions. The UE may use the RBs indicated in the DCI across  $m$  subframes. The same resource blocks may be allocated to the UE in  $m$  subframes.

[0073] A DCI indicating a multi-subframe grant (MSFG) may be supported in carrier aggregation, for example, for an unlicensed cell (e.g. an LAA cell). Design of a multi-subframe grant (MSFG) may take into account the design of existing DCIs used for single subframe grants. For example, current LTE-A DCI Format 0 and 4 may be used for uplink grants with and without special multiplexing. DCI Format 0 and 4 may be updated to support MSFGs with or without special multiplexing.

[0074] A MSFG may allow a UE to transmit on multiple consecutive uplink subframes based on some common set of transmission parameters. Some of transmission parameters, like MCS level, power control command, and/or resource assignments (e.g. RBs) may be common across scheduled subframes. Some parameters, like HARQ process ID, RV and/or NDI may be subframe specific. The DCI indicating a MSFG may comprise one or more parameters indicating the number of consecutive subframes allowed for transmission according to the grant. In an example, the parameters which may be configured by DCI may include the

number of consecutive subframes ( $m$ ) associated with the MSFG. A MSFG may provide resource allocation for subframes starting from subframe  $n$  and ending at subframe  $n+m-1$ .

[0075] When a UE receives a multi-subframe grant (MSFG) for UL transmissions of  $m$  consecutive subframes on an LAA carrier, the UE may perform LBT before transmission on the scheduled subframes. A successful LBT may be followed by a reservation signal if transmission of the reservation signals is allowed and/or needed. The UE's LBT may or may not succeed before start of a first allowed transmission symbol of subframe  $n$ . In an example, if UE's LBT is successful before a first allowed transmission symbol of subframe  $n$ , the UE may transmit data according to multi-subframe DCI. The UE may transmit data (TBs) when LBT is successful.

[0076] The DCI indicating a MSFG may include parameters for UEs behavior due to LBT. A multi-subframe DCI may include possible LBT time interval(s) and/or at least one LBT configuration parameter. The DCI may indicate one or more configuration parameters for LBT process before transmissions corresponding to a MSFG.

[0077] In an example, one or more DCI may indicate configuration for transmission of reservation signals, format of reservation signals, allowed starting symbol, and/or LBT intervals/symbols associated with a MSFG. For example, the DCI may indicate a PUSCH starting position in a subframe. LBT procedure may be performed before the PUSCH starting position. One or more DCI may comprise configuration parameters indicating reservation signals and/or partial subframe configuration. In an example embodiment, transmission of reservation signals and/or partial subframe for a multi-subframe grant may not be supported.

[0078] In an example, a UE may perform LBT (e.g. in a symbol) before subframe  $n$  starts. In an example, a UE may perform LBT in a first symbol of subframe  $n$ . A UE may be configured to perform LBT in one or more allowed symbols of a subframe, or within a configured period/interval in a subframe. The multi-subframe grant DCI may include possible LBT time interval(s) and/or at least one LBT configuration parameter. For example, DCI may indicate that PUSCH starts in symbol 0 and a LBT procedure is performed before PUSCH starts (e.g. last symbol of a previous subframe). For example, DCI may indicate that PUSCH starts in symbol 1 and an LBT procedure is performed before PUSCH starts (e.g. in symbol 0).

[0079] In an example, one or more LBT configuration parameters may be indicated in an RRC message. In an example, one or more RRC message configuring an LAA cell may comprise at least one field indicating an LBT interval.

[0080] An eNB may transmit to a UE one or more RRC messages comprising configuration parameters of a plurality of cells. The plurality of cells may comprise one or more licensed

cell and one or more unlicensed (e.g. LAA) cells. The eNB may transmit one or more DCIs for one or more licensed cells and one or more DCIs for unlicensed (e.g. LAA) cells to schedule downlink and/or uplink TB transmissions on licensed/LAA cells.

[0081] A UE may receive at least one downlink control information (DCI) from an eNB indicating uplink resources in  $m$  subframes of a licensed assisted access (LAA) cell. In an example embodiment, an MSFG DCI may include information about RV, NDI and HARQ process ID of a subframe of the grant. For example, when a grant is for  $m$  subframes, the grant may include at least  $m$  set of RVs and NDIs for HARQ processes associated with  $m$  subframes in the grant. In an example, subframe specific parameters may comprise one or more of the following for each subframe of a MSFG burst:  $M$  bits for RV, example 2 bits for 4 redundancy versions; and/or 1 bit for NDI.

[0082] In an example, common parameters may include: TPC for PUSCH, Cyclic shift for DM RS, resource block assignment, MCS and/or spatial multiplexing parameters (if any, for example included in DCI format 4), LBT related parameters applied to the uplink burst, and/or Other parameters, e.g. one or more multi-subframe configuration parameters. The MSFG DCI may comprise an RB assignment field, an MCS field, an TPC field, an LBT field applicable to all the subframes associated with a MSFG. These parameters may be the same for different subframes of a MSFG burst. Resource block assignment, MCS and/or spatial multiplexing parameters may change from one MSFG burst to another MSFG burst.

[0083] Uplink grant DCI scheduling a PUSCH for an LAA cell may be signaled as one of a single-subframe or multi-subframe grant. An eNB may transmit a single-subframe or multi-subframe UL grant on (e)PDCCH, e.g. using DCI format 0A/4A/0B/4B, instructing a UE to transmit one or two transport blocks across  $N$  consecutive subframes ( $N \geq 1$ , e.g.  $N=1, 2, 3$ , or 4) of a PUSCH. An eNB may transmit to a UE an UL grant for subframe (SF)  $n$ ,  $r$  (e.g.  $r=4, 5$ , or 6, etc) subframes in advance of a scheduled subframe.

[0084] For LAA uplink, DCI 0B and DCI 4B may schedule PUSCH transmission in maximum  $N_{sf}$  subframes, where  $N_{sf}$  is configurable by (UE-specific) RRC signaling. When an eNB configures one or more parameters via RRC signaling or when one or more parameters is RRC configured, it implies that an eNB transmits one or more RRC messages comprising configuration parameters of one or more cells. The configuration parameters may indicate that the one or more parameters are configured in the UE. For example, an eNB may transmit an RRC message (UE-specific) comprising configuration parameters of one or more LAA cells. The RRC message may comprise a parameter indicating  $N_{sf}$ , one or more LBT parameters, and/or uplink/downlink channel parameters.

[0085] DCI 0B may indicate PUSCH multi-subframe scheduling (e.g. with TM1) for an LAA SCell. DCI 4B may indicate PUSCH multi-subframe scheduling (e.g. with TM2) for an LAA SCell. N\_sf parameter value range may be N\_min to N\_max. For example, value of N\_min: 2, Value of N\_max is 4.

[0086] In an example, RRC signaling may enable or disable DCI 0B and/or DCI 4B. DCI format 0B/4B may comprise number of scheduled subframes field indicating a number of scheduled subframes. DCI format 0B/4B may comprise a HARQ process number field indicating HARQ process IDs for the scheduled subframes by indicating a HARQ process ID for the first scheduled subframe. HARQ p\_ids for other subframes may be derived by a given rule. For example, the HARQ p\_ids for other subframes may be consecutive with the indicated HARQ process IDs, modulo max number of HARQ processes. DCI format 0B/4B may indicate RVs for the scheduled subframes by indicating an RV value (e.g. 1-bit or 2-bit RV value) per scheduled subframe (regardless of the number of scheduled transport blocks). For example, DCI format 0B/4B may indicate RV of 0 or 2 for a scheduled subframe.

[0087] In an example, a UE may be configured to detect multiple uplink grants which may be chosen without restriction from DCI 0A/4A/0B/4B. In an example, maximum number of uplink grants to be transmitted for a single UE in a subframe is 4. DCI 0A may indicate PUSCH single-subframe scheduling with TM1 for LAA SCell. DCI 4A may indicate PUSCH single-subframe scheduling with TM2 for LAA SCell. A single UL grant scheduling multiple subframes may schedule consecutive subframes for PUSCH transmission. A timing offset is counted from subframe N+4+k, and k is signaled with (for example, 3 bits, [0...7] SFs). An eNB may implement 2-step scheduling.

[0088] Transmission by UEs in the UL of an LAA cell may be subject to some maximum channel occupancy time (MCOT). Maximum channel occupancy may consider downlink transmissions by an eNB and subsequent UE transmissions in the uplink, for example if UE transmits uplink within a short period (e.g. 16 micro-second) of downlink transmission.

[0089] In an example embodiment, an uplink grant DCI (e.g. DCI format 0A, 4A, 0B, 4B) may further comprise a resource block assignment field indicating the resource allocation in UL subframe(s), a PUSCH starting position field indicating a PUSCH starting position, a PUSCH ending symbol field indicating whether PUSCH transmission include the last symbol of an uplink subframe, channel access type field indicating a channel access (LBT) type, and/or a channel access (LBT) priority class field indicating a channel access priority.

[0090] Uplink grant DCI 0B and 4B may further comprise a number of scheduled subframes field indicating the number of scheduled uplink subframes.

[0091] In an example, a two-bit PUSCH starting position field may indicate one of the four PUSCH starting positions: symbol 0 (value 00),  $25\mu\text{s}$  in symbol 0 (value 01),  $(25+T_A)\mu\text{s}$  in symbol 0 (value 10), and symbol 1 (value 11). For example, PUSCH ending symbol field may be one bit, wherein value 0 indicates that PUSCH ending symbol is the last symbol of the subframe and value 1 indicates that PUSCH ending symbol is the second to last symbol of the subframe. In an example, a one-bit channel access type field may indicate one of the Type 1 or Type 2 channel access procedures. In an example, a two-bit channel access priority class field may indicate a channel access priority of zero, one, two, or three.

[0092] A UE may perform a listen before talk (LBT) procedure before uplink transmission. There are multiple channel access (LBT) procedures, which UE may perform if needed prior to UE transmission in the uplink. A UE may select an LBT procedure before transmission of uplink signals (e.g. a TB, SRS, etc) based on type or priority of the uplink signals, and/or LBT type field and/or LBT priority field in the DCI. An eNB may transmit UE specific DCIs to a UE. The eNB may transmit to the UE an uplink grant DCI scheduling a PUSCH. The uplink grant DCI may comprise a parameter indicating an LBT (a channel access) type. For example, the channel access type (e.g. at least for PUSCH) may be one of  $25/16\mu\text{s}$  LBT (LBT Type 2) or category 4 LBT (LBT Type 1).

[0093] The control information may comprise one or more information elements indicating LBT type and/or LBT parameters. In an example, a UE may perform a short one shot LBT, e.g., LBT category 2 (LBT Type 2), or LBT over a contention window, e.g. LBT category 4 (LBT Type 1). The eNB may transmit control information (e.g. uplink grant DCI) to a UE comprising LBT parameters including the type, timing, and/or contention window size. In an example scenario, a UE may transmit uplink signals without performing LBT procedure. For example, in a multi-subframe transmission, a UE may perform LBT for the first subframe and then if LBT for the first subframe is successful (indicates a clear channel) the UE may transmit subsequent subframes without performing LBT for the subsequent subframes.

[0094] In an example, an eNB may transmit to a UE a uplink DCI comprising one or more LBT information fields in a predefined format. For example, the predefined format may be a one-bit field indicating an LBT (channel access) type. For example, a two-bit field may indicate LBT type and parameters, e.g. a 2 bit LBT type field indicating No-LBT, LBT type 1 and/or LBT type 2 for 00, 01 and 10 states, respectively.

[0095] An eNB may designate some time intervals, e.g. one or more symbols at the beginning and/or end of one or more subframes, during which UL transmissions may be punctured. This may allow multiple users to be scheduled on a subframe without their LBTs blocking each other.

[0096] A later start time may create opportunities for other nodes/UEs to run LBT and transmit on the same subframe if UE LBT test is successful. An eNB may transmit to a UE an UL grant DCI comprising a PUSCH starting position field indicating a starting uplink transmission time. When a starting symbol is included in a multi-subframe grant, the starting time may be applicable to first subframe of a multi-subframe transmission, e.g. first subframe may start from symbol 1 while others start from symbol 0. In an example, transmission on UL may start at the following times in an UL subframe: start of DFTS-OFDM symbol 0, start of DFTS-OFDM symbol 1, 25 us + TA value after start of DFTS-OFDM symbol 0, and 25 us after start of DFTS-OFDM symbol 0. Other starting times may be defined. In an example, gaps may be created by a UE subframe timing adjustment instead of using a partial OFDM symbol if a TA offset is dynamically signaled.

[0097] In an example, an eNB may transmit to a UE an uplink grant DCI scheduling PUSCH indicating an ending symbol of PUSCH transmission. The control information may indicate that PUSCH ends at end of a subframe or end 1 or few symbols earlier than the end of a subframe, e.g. on symbol 12 of a 13-symbol subframe. An early termination of transmission may create opportunities for other nodes (e.g. UEs, and/or eNBs) to perform LBT and transmit on the following subframe if the LBT procedure indicates a clear channel. The blanked symbols may also be used for other UEs SRS or other UL transmission if configured and directed by the eNB. An eNB may transmit to a UE an UL grant DCI comprising a PUSCH ending symbol field. When a PUSCH ending symbol field is included in a multi-subframe grant (e.g. DCI 0B/4B), the ending symbol may be applicable to the last subframe of the multi-subframe transmission, e.g. PUSCH transmission in the last subframe of a multi-subframe transmission may not comprise the last symbol and earlier subframes may comprise the last symbol.

[0098] In an example embodiment, for a transmission burst with PDSCH(s) and/or PUSCH(s) scheduled by the eNB for which channel access has been obtained using Channel Access Priority Class P (1...4), E-UTRAN/UE may enable the following. Transmission burst may refer to DL transmissions from the eNB and scheduled UL transmissions from the UEs starting after a successful LBT. For example, the transmission duration of the transmission burst may not exceed the minimum duration needed to transmit available buffered traffic corresponding to Channel Access Priority Class(es)  $\leq P$ . The buffered traffic includes available traffic in DL at the eNB and traffic available for transmission at scheduled UEs as per the latest buffer status information from each UE. The transmission duration of the transmission burst may not exceed the Maximum Channel Occupancy Time (MCOT) for Channel Access Priority Class P. In an example, additional traffic corresponding to Channel



Access Priority Class(es)  $> P$  may be included in the transmission burst once no more buffered traffic corresponding to Channel Access Priority Class(es)  $\leq P$  is available for transmission and the transmission duration of the transmission burst as defined above has not yet expired. In such cases, E-UTRAN/UE may increase occupancy of the remaining transmission resources in the transmission burst with this additional traffic.

[0099] When an eNB transmits an uplink grant DCI for PUSCH transmission on subframe  $n+1$  and uplink signals are scheduled by the eNB for transmission in subframe  $n$ , the eNB may or may not know if the UE has managed to transmit in subframe  $n$ . In an example scenario, an eNB may transmit an UL grant for subframe  $n$  as a single-subframe grant in SF  $n-4$ , followed by a single (or multi) subframe grant sent on subframe  $n-3$  for UL transmission on or starting on subframe  $n+1$ . In such case the eNB may not know at the time of grant for SF  $n+1$ , e.g. during SF  $n-3$ , if the UE has successfully passed LBT process for subframe  $n$ . The UL grant for subframe  $n+1$  may provide UE with LBT parameters. In an example scenario, uplink transmissions may be inefficient if the UE performs LBT based on LBT instructions transmitted by the eNB. In an example scenario, when UL transmission on subframe  $n$  is scheduled as part of multi-subframe grant, the eNB may know if UE is transmitting on subframe  $n$ , when it schedules transmission on subframe  $n+1$ . In such case and if MCOT for UE has not expired, the eNB may not need to provide any LBT information or may allow the UE to transmit data without LBT. There is a need to define enhanced processes for a UE to determine whether to perform or not to perform LBT based on the information received from an eNB and uplink transmissions in a prior subframe.

[00100] A UE may determine to perform an LBT procedure for subframe  $n+1$ , at least based on: LBT instructions received from the eNB for subframe  $n+1$  (e.g. LBT parameters, starting time, etc), expiry of MCOT duration for UE's ongoing burst in subframe  $n+1$ , UE uplink transmission in subframe  $n$ , and/or ending symbols of subframe  $n$ .

[00101] In an example scenario, a UE may transmit uplink signals in subframe  $n$ . The eNB may transmit to the UE an uplink grant DCI scheduling PUSCH for subframe  $n+1$ . The uplink grant DCI may include transmission fields and/or LBT instructions/fields. The UE may or may not perform an LBT procedure before transmitting on subframe  $n+1$ . In an example, the eNB may transmit a DCI comprising a PUSCH ending symbol field indicating that the UE ends PUSCH at the second to last symbol of subframe  $n$ , or the eNB may transmit a DCI (for subframe  $n+1$ ) comprising PUSCH starting position field indicating that PUSCH starting position is not the beginning of symbol 0 of subframe  $n+1$ . Other users may perform LBT in the blanked interval (no UE uplink transmission) and may transmit data after a successful

LBT procedure (LBT procedure indicating a clear channel). Such mechanism may enable multi-user scheduling.

[00102] In an example, a UE may receive from the eNB an uplink grant DCI to start transmitting on subframe  $n+1$  and uplink transmissions by the UE ends on subframe  $n$ . The UE may perform an LBT procedure for transmission in subframe  $n+1$ .

[00103] In an example, if an UL grant (scheduling a PUSCH transmission for subframe  $n+1$ ) comprises an LBT type field indicating a Type 1 channel access (LBT) procedure, the UE may use Type 1 channel access procedure for transmitting transmissions including the PUSCH transmission depending on example criteria described in this specification. In an example, if an UL grant (scheduling a PUSCH transmission for subframe  $n+1$ ) comprises an LBT type field indicating a Type 2 channel access (LBT) procedure, the UE may use Type 2 channel access procedure for transmitting transmissions including the PUSCH transmission depending on example criteria described in this specification. Based on example criteria, the UE may not consider LBT type instructed by the eNB and may continue uplink transmission in a subframe  $n+1$  without performing LBT for transmission in subframe  $n+1$ .

[00104] In an example, a PUSCH starting time of 0 implies that PUSCH may start from the beginning of symbol 0. A PUSCH starting time of 1 or delayed implies that PUSCH may start from beginning of symbol 1 or after an interval (delay) from the beginning of symbol 0 (e.g. 25 usec,  $TA+25$  usec).

[00105] In an example, when a UE receives from an eNB an uplink grant DCI for Subframe  $n+1$  while the UE has not transmitted in subframe  $n$ , the UE may apply LBT prior to transmission on subframe  $n+1$ . In an example embodiment, if the DCI indicates that the starting time of subframe  $n+1$  is 1 or delayed, the UE may perform LBT on symbol 0. If the DCI indicates that the starting time of subframe  $n+1$  is 0, the UE may perform LBT on symbol 13 of subframe  $n$  (if LBT in symbol 13 is allowed). In an example, if the DCI indicates that the starting time of subframe  $n+1$  is 0 and LBT in symbol 13 is not allowed, the UE may consider this as an error case and ignore the grant. In an example, such indication of 0 starting by the eNB may imply that UE may transmit subframe  $n$  without LBT. This may be the case when SF  $n+1$  starts shortly, e.g. within 16 $\mu$ s, following eNB's DL burst and ends before eNB's MCOT expires.

[00106] In an example, when a UE receives from the eNB an uplink grant DCI for subframe  $n+1$  while it has transmitted on subframe  $n$ , the UE may continue transmitting on subframe  $n+1$  based on the uplink grant without performing additional LBT if the UE uplink transmission is still within its MCOT. In an example, the eNB may instruct a UE to pause its transmission, even within UE's MCOT, to allow other UEs with pending UL grants perform

LBT and transmit on subframe  $n+1$  if their LBT is successful. The eNB may use LBT parameters in the UL grant to control such UEs behavior.

[00107] In an example embodiment, if an eNB sets one or more blank symbols using an uplink grant for subframe  $n$  and an uplink grant for subframe  $n+1$ , e.g. leaving symbol 13 of SF  $n$  and/or symbol 0 (or part of symbol 0) of SF  $n+1$  as blank, it implies that the UE may pause and apply LBT before transmitting in subframe  $n+1$ . In an example, if an eNB sets the last symbol of subframe  $n$  as symbol 12, e.g. leaving symbol 13 a blank symbol, and sets starting symbol of SF  $n+1$  as 0, then the UE may perform an LBT procedure during symbol 13 of subframe  $n$  before transmitting on symbol 0 or subframe  $n$ .

[00108] In an example, if UE's MCOT expires before the end of subframe  $n+1$ , then the UE may not transmit on subframe  $n+1$  without an LBT procedure. In this case, if the eNB's grants for subframes  $n$  and  $n+1$  provision for blank time interval for LBT, the UE may perform LBT on those symbols. In an example if the eNB has not provisioned for a blank LBT time interval while MCOT expires before end of subframe  $n+1$ , the UE may wait for a new grant or perform LBT on a default symbol, e.g. symbol 0 of SF  $n+1$ .

[00109] In an example, the eNB may indicate the LBT interval as timing gap to be calculated by UEs based on their Timing Advanced in Uplink, e.g. TA + 25 micro-seconds. The eNB transmits UL grants at least  $r$ , e.g.  $r=4$ , subframe ahead of scheduled subframe to allow UEs to process the TB and prepare their transmission according grant parameters. In an example, where the eNB sends LBT parameters on an UL grant such parameters need to be determined  $r$  subframes before start of UE's transmission.

[00110] In an example embodiment, the eNB may transmit to the UE an uplink grant DCI for transmission in subframe  $n+1$ . The uplink grant DCI for subframe  $n+1$  may comprise an LBT type field indicating an LBT type. The uplink grant DCI for subframe  $n+1$  may comprise a PUSCH starting position field indicating that PUSCH transmission starts from beginning of symbol 0.

[00111] In an example, if a UL grant (scheduling a PUSCH transmission for subframe  $n+1$ ) comprises an LBT type field indicating a Type 1 channel access (LBT) procedure, the UE may conditionally use the Type 1 channel access procedure for transmitting transmissions including the PUSCH transmission depending on example criteria described in this specification. In an example, if a UL grant (scheduling a PUSCH transmission for subframe  $n+1$ ) comprises an LBT type field indicating a Type 2 channel access (LBT) procedure, the UE may conditionally use the Type 2 channel access procedure for transmitting transmissions including the PUSCH transmission depending on example criteria described in this specification. Based on example criteria, the UE may not consider the LBT type instructed by

the eNB and may continue uplink transmission in a subframe  $n+1$  without performing LBT for transmission in subframe  $n+1$ . There is a need to define enhanced processes for a UE to determine whether to perform or not to perform LBT based on the information received from an eNB and uplink transmissions in a prior subframe.

[00112] The eNB may not be aware of the connection state of the wireless device and wireless device uplink transmissions in a prior subframe at the time an uplink grant is transmitted by the eNB. In an example embodiment, the wireless device may determine whether the wireless device should consider or should not consider the LBT type provided by the eNB in the uplink grant DCI. Example embodiments enable the eNB to provide LBT instructions in an uplink grant for transmission in a subframe. In addition, example embodiments enable the UE to determine whether the UE should perform or not perform an LBT procedure based on the eNB instructions. Example embodiments enable both the eNB and the UE to provide input on an LBT procedure for transmission in a subframe. In some scenarios, the UE may ignore the LBT instructions by the eNB and transmit uplink signals without performing an LBT procedure. Example embodiments enhance uplink transmission efficiency by a wireless device and reduces UE power consumption and processing requirements.

[00113] In an example embodiment, the uplink grant DCI may comprise an LBT type field indicating that a UE may perform LBT for subframe  $n+1$ . In an example, the uplink grant DCI may further comprise a PUSCH starting position indicating that PUSCH in subframe  $n+1$  starts at the beginning of symbol 0 of subframe  $n+1$ . The uplink grant DCI may include at least one LBT parameter for uplink transmissions by the UE in subframe  $n+1$ . This indicates that the UE may conditionally perform an LBT procedure for subframe  $n+1$  depending at least on transmissions in subframe  $n$ . If the UE successfully transmits (e.g. due to a successful LBT) uplink signals in subframe  $n$  including the last symbol, then UE may not perform LBT for subframe  $n+1$ . An example is shown in FIG. 12, Example A. In this case, the UE is scheduled to transmit transmissions (e.g. including PUSCH) without gaps between subframes  $n$  and  $n+1$ , and the UE performs a transmission in subframe  $n$  (including the last symbol of subframe  $n$ ), and the UE may continue transmission in subframes  $n+1$  without performing an LBT procedure for subframe  $n+1$ . This is irrespective of uplink grant DCI for subframe  $n+1$  indicating an LBT procedure Type 1 or an LBT procedure Type 2 for subframe  $n+1$ . The UE may not perform an LBT procedure according to LBT type field in the uplink grant DCI field for subframe  $n+1$ . The UE may ignore the LBT type field in the uplink grant DCI for subframe  $n+1$ . In an example, the UE may transmit in subframe  $n$  after accessing the carrier, e.g., according to one of Type 1 or Type 2 UL channel access (LBT) procedures.

[00114] If the UE does not transmit signals in subframe  $n$  (e.g. due to LBT indicating busy channel) or if the UE does not transmit uplink signals in the last symbol of subframe  $n$ , then the UE may perform an LBT procedure for subframe  $n+1$ . As described above, interpretation of an LBT field in the uplink grant DCI field for subframe  $n+1$  may depend on whether signals are transmitted in subframe  $n$  (including the last symbol) or not. If no uplink transmission is scheduled for subframe  $n$ , or if uplink transmissions in subframe  $n$  ends in the symbol before the last symbol of subframe  $n$  (e.g. transmission ends at symbol 12 and does not comprise the last symbol), then the UE may perform an LBT procedure for transmissions in subframe  $n+1$ . An example is shown in FIG. 12, Example B. If the transmission in subframe  $n+1$  starts later than the beginning of symbol 0 of subframe  $n+1$  (e.g. starting from the 2nd symbol or after the beginning of symbol 0), then the UE may perform LBT for transmission in subframe  $n+1$ . An example is shown in FIG. 13. When there is a transmission gap between subframes  $n$  and  $n+1$ , then the UE may perform LBT for transmission in subframe  $n+1$ . When the UE is scheduled to transmit transmissions (e.g. including PUSCH) without gaps between subframes  $n$  and  $n+1$ , and the UE performs a transmission in subframe  $n$  (including the last symbol of subframe  $n$ ), the UE may continue transmission in subframes  $n+1$  without performing an LBT procedure, irrespective of an LBT parameter in the uplink grant DCI for subframe  $n+1$ .

[00115] In an example embodiment, common DCI may comprise subframe specific LBT information. Such common DCI may or may not be supported or transmitted by eNB depending on eNB/UE implementation. LBT parameters may be included in an UL grant and/or may be included in a common DCI e.g. a DCI transmitted on (e)PDCCH masked with CC-RNTI.

[00116] In an example, when a UE receives a grant for SF  $n+1$  while it has transmitted on subframe  $n$ , the UE may continue transmitting on subframe  $n+1$  based on a new grant without performing additional LBT if the UE uplink transmission is within its MCOT. In an example, the eNB may instruct a UE to pause its transmission, even within UE's MCOT, to allow other UEs with pending UL grants perform LBT and transmit on subframe  $n+1$  if their LBT is successful. The eNB may use LBT parameters in the UL grant or common DCI (if supported) to control such a UE behavior.

[00117] In an example embodiment, in addition or instead of sending LBT parameters in an UL grant, the eNB may transmit subframe specific LBT control information in a common DCI. Such information may include LBT type and parameters to be used and/or timing of LBT intervals, e.g. across multiple subframes. Common signaling of LBT designated time intervals enables concurrent multi-user LBT and scheduling. In an example, the common

DCI may include a bitmap of length  $N$  which indicates over which of the following  $N$  subframes the first symbol should be blanked. In an example, a bitmap of length  $M$  may be used to show over which of the following  $M$  subframes the last symbol of subframe may be kept blanked (punctured).

[00118] In an example, an eNB may send LBT parameters on a common DCI, the UE may apply the LBT parameters as early as the following subframe. For example, common DCI in subframe  $n$  may be applied to subframe  $n+p$ , wherein e.g.  $p=1, 2$ .

[00119] In an example embodiment, the eNB may transmit common DCI to convey LBT parameters and symbols/timings. UEs monitoring DL for this common DCI may perform LBT on a subframe  $n+1$  based on relevant LBT parameters included in the latest received common DCI for this subframe. For example, when common DCI including LBT parameters is received in subframe  $n-k$ , and  $n$ , the UE may apply the common DCI in subframe  $n$  for transmission in subframe  $n+1$ .

[00120] In an example embodiment, the eNB may include LBT parameters and symbols/timings in both UL grant and in common DCI. In this case, the UE may perform LBT based on one or combination of information received from eNB. In an example, when common DCI and uplink grant LBT parameters are received in the subframe, a UE may consider LBT parameters in the uplink grant. In an example, the UE follows the LBT information in an UL grant for a given subframe  $n+1$ , if available, regardless of any information in the common DCI. In an example the UE may apply a most recent LBT information about subframe  $n+1$  as received from the eNB on a corresponding UL grant or from a common DCI. For example, if an UL grant for subframe  $n+1$  that include LBT directions is received in subframe  $n-3$  while common DCI with other LBT parameters for the subframe  $n+1$  is received on subframe  $n$  then UE may follow the LBT parameters in common DCI.

[00121] According to various embodiments, a device such as, for example, a wireless device, a base station and/or the like, may comprise one or more processors and memory. The memory may store instructions that, when executed by the one or more processors, cause the device to perform a series of actions. Embodiments of example actions are illustrated in the accompanying figures and specification.

[00122] FIG. 14 is an example flow diagram as per an aspect of an embodiment of the present disclosure. At 1410, a wireless device may receive an uplink grant for a licensed assisted access (LAA) cell. The uplink grant may comprise a physical uplink shared channel (PUSCH) starting position field and a listen-before-talk (LBT) type field. The PUSCH starting position field may indicate a PUSCH starting position in a subframe of the LAA cell.

The LBT type field may indicate at least one of a first LBT type or a second LBT type for the subframe. According to an embodiment, the first LBT type may be a Category 4 LBT.

According to an embodiment, the second LBT type is a Category 2 LBT. According to an embodiment, the PUSCH starting position field may indicate that the PUSCH transmissions in the subframe starts from a beginning of symbol zero. According to an embodiment, the PUSCH starting position field may indicate one of the following PUSCH starting positions: symbol 0,  $25\mu\text{s}$  in symbol 0,  $(25+TA)\mu\text{s}$  in symbol 0, or symbol 1. According to an embodiment, the uplink grant may be one of: a single-subframe uplink grant; or multi-subframe uplink grant. According to an embodiment, the uplink grant may further comprise a PUSCH ending symbol field indicating whether the PUSCH is transmitted in a last symbol of the subframe. According to an embodiment, the wireless device may further receive a second uplink grant for the preceding adjacent subframe.

[00123] At 1420, a determination may be made, at least based on, uplink transmissions by the wireless device in a preceding adjacent subframe of the LAA cell: to perform an LBT procedure for transmission of uplink signals in the subframe, or to transmit the uplink signals without performing the LBT procedure for the subframe, regardless of the LBT type field indicating the first LBT type or the second LBT type. According to an embodiment, the determination by the wireless device may be further based, at least, on expiry of a maximum channel occupancy time (MCOT).

[00124] According to an embodiment, a determination may be made to perform the LBT procedure for transmission of the uplink signals in the subframe in response to the wireless device having a transmission gap between the preceding adjacent subframe and the subframe. According to an embodiment, a determination may be made to transmit the uplink signals in the subframe without performing the LBT procedure in response to the wireless device transmitting without a transmission gap between the preceding adjacent subframe and the subframe. According to an embodiment, a determination may be made to perform the LBT procedure for transmission of the uplink signals in the subframe in response to the PUSCH starting position field indicating that the PUSCH transmissions in the subframe starts later than a beginning of symbol zero. According to an embodiment, a determination may be made to perform the LBT procedure for transmission of the uplink signals in the subframe in response to the wireless device not transmitting first uplink signals in at least a last symbol of the preceding adjacent subframe. According to an embodiment, a determination may be made to transmit the uplink signals without performing the LBT procedure for the subframe in response to the wireless device transmitting in a last symbol of the preceding adjacent subframe.

[00125] According to an embodiment, the wireless device may further receive at least one message comprising configuration parameters of the LAA cell. At 1430, the uplink signals in the subframe may be transmitted via the LAA cell.

[00126] A wireless device may receive an uplink grant for transmission in subframe  $n+1$  of a licensed assisted access (LAA) cell (e.g. at 1410). The uplink grant may comprise a physical uplink shared channel (PUSCH) starting position field, and a listen-before-talk (LBT) type field. The PUSCH starting position field may indicate that PUSCH transmissions in the subframe  $n+1$  starts from a beginning of symbol zero. The LBT type field may indicate one of a first LBT type or a second LBT type for the subframe  $n+1$ . According to an embodiment, the first LBT type may be a Category 4 LBT. According to an embodiment, the second LBT type may be a Category 2 LBT. According to an embodiment, the PUSCH starting position field indicate one of the following PUSCH starting positions: symbol 0,  $25\mu\text{s}$  in symbol 0,  $(25+T_A)\mu\text{s}$  in symbol 0, or symbol 1.

[00127] According to an embodiment, the uplink grant may be one of: a single-subframe uplink grant; or multi-subframe uplink grant. According to an embodiment, the uplink grant may further comprise a PUSCH ending symbol field indicating whether the PUSCH is transmitted in a last symbol of the subframe  $n+1$ . According to an embodiment, the wireless device may further receive a second uplink grant for subframe  $n$ .

[00128] The wireless device may determine (e.g. at 1420), at least based on uplink transmissions by the wireless device in subframe  $n$ , whether to: perform an LBT procedure for transmission of uplink signals in the subframe  $n+1$ , or transmit the uplink signals in the subframe  $n+1$  without performing an LBT procedure, regardless of whether the LBT type field indicates the first LBT type or the second LBT type. According to an embodiment, the wireless device may determine to perform the LBT procedure for transmission of the uplink signals in subframe  $n+1$  in response to the wireless device not transmitting uplink signals in at least a last symbol of the subframe  $n$  of the LAA cell. According to an embodiment, the wireless device may transmit the uplink signals in the subframe  $n+1$  without performing the LBT procedure in response to the wireless device transmitting in a last symbol of subframe  $n$ . According to an embodiment, the wireless device may perform the LBT procedure for transmission of uplink signals in the subframe  $n+1$  in response to the wireless device having a transmission gap between the subframe  $n$  and the subframe  $n+1$ . According to an embodiment, the wireless device may transmit the uplink signals in the subframe  $n+1$  without performing the LBT procedure in response to the wireless device transmitting without a transmission gap between the subframe  $n$  and the subframe  $n+1$ . According to an



embodiment, the determining by the wireless device, may be further based, at least, on expiry of a maximum channel occupancy time (MCOT) duration.

[00129] According to an embodiment, the wireless device may further receive at least one message comprising configuration parameters of the LAA cell. The uplink signals may be transmitted in the subframe n+1 (e.g. at 1430).

[00130] In this specification, “a” and “an” and similar phrases are to be interpreted as “at least one” and “one or more.” In this specification, the term “may” is to be interpreted as “may, for example.” In other words, the term “may” is indicative that the phrase following the term “may” is an example of one of a multitude of suitable possibilities that may, or may not, be employed to one or more of the various embodiments. If A and B are sets and every element of A is also an element of B, A is called a subset of B. In this specification, only non-empty sets and subsets are considered. For example, possible subsets of B = {cell1, cell2} are: {cell1}, {cell2}, and {cell1, cell2}.

[00131] In this specification, parameters (Information elements: IEs) may comprise one or more objects, and each of those objects may comprise one or more other objects. For example, if parameter (IE) N comprises parameter (IE) M, and parameter (IE) M comprises parameter (IE) K, and parameter (IE) K comprises parameter (information element) J, then, for example, N comprises K, and N comprises J. In an example embodiment, when one or more messages comprise a plurality of parameters, it implies that a parameter in the plurality of parameters is in at least one of the one or more messages, but does not have to be in each of the one or more messages.

[00132] Many of the elements described in the disclosed embodiments may be implemented as modules. A module is defined here as an isolatable element that performs a defined function and has a defined interface to other elements. The modules described in this disclosure may be implemented in hardware, software in combination with hardware, firmware, wetware (i.e hardware with a biological element) or a combination thereof, all of which are behaviorally equivalent. For example, modules may be implemented as a software routine written in a computer language configured to be executed by a hardware machine (such as C, C++, Fortran, Java, Basic, Matlab or the like) or a modeling/simulation program such as Simulink, Stateflow, GNU Octave, or LabVIEWMathScript. Additionally, it may be possible to implement modules using physical hardware that incorporates discrete or programmable analog, digital and/or quantum hardware. Examples of programmable hardware comprise: computers, microcontrollers, microprocessors, application-specific integrated circuits (ASICs); field programmable gate arrays (FPGAs); and complex programmable logic devices (CPLDs). Computers, microcontrollers and microprocessors are

programmed using languages such as assembly, C, C++ or the like. FPGAs, ASICs and CPLDs are often programmed using hardware description languages (HDL) such as VHSIC hardware description language (VHDL) or Verilog that configure connections between internal hardware modules with lesser functionality on a programmable device. Finally, it needs to be emphasized that the above mentioned technologies are often used in combination to achieve the result of a functional module.

[00133] The disclosure of this patent document incorporates material which is subject to copyright protection. The copyright owner has no objection to the facsimile reproduction by anyone of the patent document or the patent disclosure, as it appears in the Patent and Trademark Office patent file or records, for the limited purposes required by law, but otherwise reserves all copyright rights whatsoever.

[00134] While various embodiments have been described above, it should be understood that they have been presented by way of example, and not limitation. It will be apparent to persons skilled in the relevant art(s) that various changes in form and detail can be made therein without departing from the spirit and scope. In fact, after reading the above description, it will be apparent to one skilled in the relevant art(s) how to implement alternative embodiments. Thus, the present embodiments should not be limited by any of the above described exemplary embodiments. In particular, it should be noted that, for example purposes, the above explanation has focused on the example(s) using a licensed assisted access cell in communication systems. However, one skilled in the art will recognize that embodiments of the disclosure may also be implemented in a system comprising one or more stand-alone unlicensed cells. The disclosed methods and systems may be implemented in wireless or wireline systems. The features of various embodiments presented in this disclosure may be combined. One or many features (method or system) of one embodiment may be implemented in other embodiments. Only a limited number of example combinations are shown to indicate to one skilled in the art the possibility of features that may be combined in various embodiments to create enhanced transmission and reception systems and methods.

[00135] In addition, it should be understood that any figures which highlight the functionality and advantages, are presented for example purposes only. The disclosed architecture is sufficiently flexible and configurable, such that it may be utilized in ways other than that shown. For example, the actions listed in any flowchart may be re-ordered or only optionally used in some embodiments.

[00136] Further, the purpose of the Abstract of the Disclosure is to enable the U.S. Patent and Trademark Office and the public generally, and especially the scientists, engineers and practitioners in the art who are not familiar with patent or legal terms or phraseology, to

determine quickly from a cursory inspection the nature and essence of the technical disclosure of the application. The Abstract of the Disclosure is not intended to be limiting as to the scope in any way.

[00137] Finally, it is the applicant's intent that only claims that include the express language "means for" or "step for" be interpreted under 35 U.S.C. 112. Claims that do not expressly include the phrase "means for" or "step for" are not to be interpreted under 35 U.S.C. 112.

**CLAIMS**

What is claimed is:

1. A method comprising:
  - receiving by a wireless device, an uplink grant for a licensed assisted access (LAA) cell, the uplink grant comprising:
    - a physical uplink shared channel (PUSCH) starting position field indicating a PUSCH starting position in a subframe of the LAA cell; and
    - a listen-before-talk (LBT) type field indicating at least one of a first LBT type or a second LBT type for the subframe;
  - determining, at least based on uplink transmissions by the wireless device in a preceding adjacent subframe of the LAA cell, to:
    - perform an LBT procedure for transmission of uplink signals in the subframe; or
    - transmit the uplink signals without performing the LBT procedure for the subframe, regardless of the LBT type field indicating the first LBT type or the second LBT type; and
  - transmitting, via the LAA cell, the uplink signals in the subframe.
2. The method of claim 1, wherein:
  - the first LBT type is a Category 4 LBT; and
  - the second LBT type is a Category 2 LBT.
3. The method of claim 1, wherein the PUSCH starting position field indicates that the PUSCH transmissions in the subframe starts from a beginning of symbol zero.
4. The method of claim 1, wherein the wireless device determines to perform the LBT procedure for transmission of the uplink signals in the subframe in response to the wireless device having a transmission gap between the preceding adjacent subframe and the subframe.
5. The method of claim 1, wherein the wireless device determines to transmit the uplink signals in the subframe without performing the LBT procedure in response to the wireless device transmitting without a transmission gap between the preceding adjacent subframe and the subframe.

6. The method of claim 1, wherein the wireless device determines to perform the LBT procedure for transmission of the uplink signals in the subframe in response to the PUSCH starting position field indicating that the PUSCH transmissions in the subframe starts later than a beginning of symbol zero.
7. The method of claim 1, wherein the wireless device determines to perform the LBT procedure for transmission of the uplink signals in the subframe in response to the wireless device not transmitting first uplink signals in at least a last symbol of the preceding adjacent subframe.
8. The method of claim 1, wherein the wireless device determines to transmit the uplink signals without performing the LBT procedure for the subframe in response to the wireless device transmitting in a last symbol of the preceding adjacent subframe.
9. The method of claim 1, further comprising receiving a second uplink grant for the preceding adjacent subframe.
10. The method of claim 1, wherein the PUSCH starting position field indicate one of the following PUSCH starting positions:
  - symbol 0;
  - 25 $\mu$ s in symbol 0;
  - (25+TA)  $\mu$ s in symbol 0; or
  - symbol 1.
11. A wireless device comprising:
  - one or more processors; and
  - memory storing instructions that, when executed by the one or more processors, cause the wireless device to:
    - receive an uplink grant for a licensed assisted access (LAA) cell, the uplink grant comprising:
      - a physical uplink shared channel (PUSCH) starting position field indicating a PUSCH starting position in a subframe of the LAA cell; and
      - a listen-before-talk (LBT) type field indicating at least one of a first LBT type or a second LBT type for the subframe;

determine, at least based on uplink transmissions in a preceding adjacent subframe of the LAA cell, to:

perform an LBT procedure for transmission of uplink signals in the subframe; or

transmit the uplink signals without performing the LBT procedure for the subframe, regardless of the LBT type field indicating the first LBT type or the second LBT type; and

transmit, via the LAA cell, the uplink signals in the subframe.

12. The wireless device of claim 15, wherein the determine to perform the LBT procedure for transmission of the uplink signals in the subframe is in response to the wireless device having a transmission gap between the preceding adjacent subframe and the subframe.
13. The wireless device of claim 15, wherein the determining to transmit the uplink signals in the subframe without performing the LBT procedure is in response to the wireless device transmitting without a transmission gap between the preceding adjacent subframe and the subframe.
14. The wireless device of claim 15, wherein the determining to perform the LBT procedure for transmission of the uplink signals in the subframe in response to the PUSCH starting position field indicating that the PUSCH transmissions in the subframe starts later than a beginning of symbol zero.
15. The wireless device of claim 15, wherein the determining to perform the LBT procedure for transmission of the uplink signals in the subframe is in response to the wireless device not transmitting first uplink signals in at least a last symbol of the preceding adjacent subframe.
16. The wireless device of claim 15, wherein the determining to transmit the uplink signals without performing the LBT procedure for the subframe is in response to the wireless device transmitting in a last symbol of the preceding adjacent subframe.
17. The wireless device of claim 15, further comprising receiving at least one message comprising configuration parameters of the LAA cell.
18. The wireless device of claim 15, wherein the uplink grant is one of:

Docket No.: 16-1042U

a single-subframe uplink grant; or  
multi-subframe uplink grant.

19. The wireless device of claim 15, wherein the uplink grant further comprises a PUSCH ending symbol field indicating whether the PUSCH is transmitted in a last symbol of the subframe.
20. The wireless device of claim 15, wherein the determining is further, at least based on expiry of a maximum channel occupancy time (MCOT).

**ABSTRACT OF THE DISCLOSURE**

A wireless device receives an uplink grant for a licensed assisted access (LAA) cell. The uplink grant comprises a physical uplink shared channel (PUSCH) starting position field and a listen-before-talk (LBT) type field. The PUSCH starting position field indicates a PUSCH starting position in a subframe of the LAA cell. The LBT type field indicates at least one of a first LBT type or a second LBT type for the subframe. A determination is made based, at least, on uplink transmissions by the wireless device in a preceding adjacent subframe of the LAA cell, to: perform an LBT procedure for transmission of uplink signals in the subframe, or transmit the uplink signals without performing the LBT procedure for the subframe, regardless of the LBT type field indicating the first LBT type or the second LBT type. The uplink signals in the subframe may be transmitted via the LAA cell.



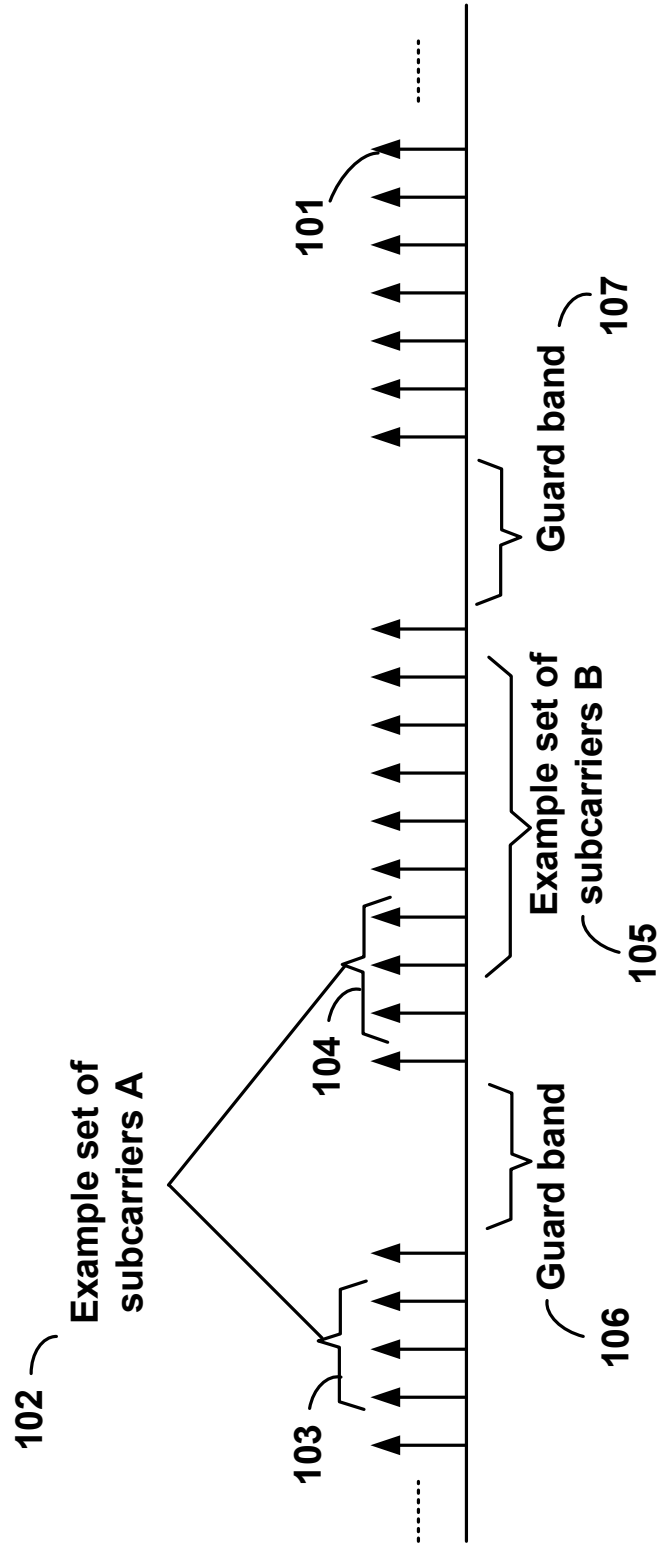


FIG. 1

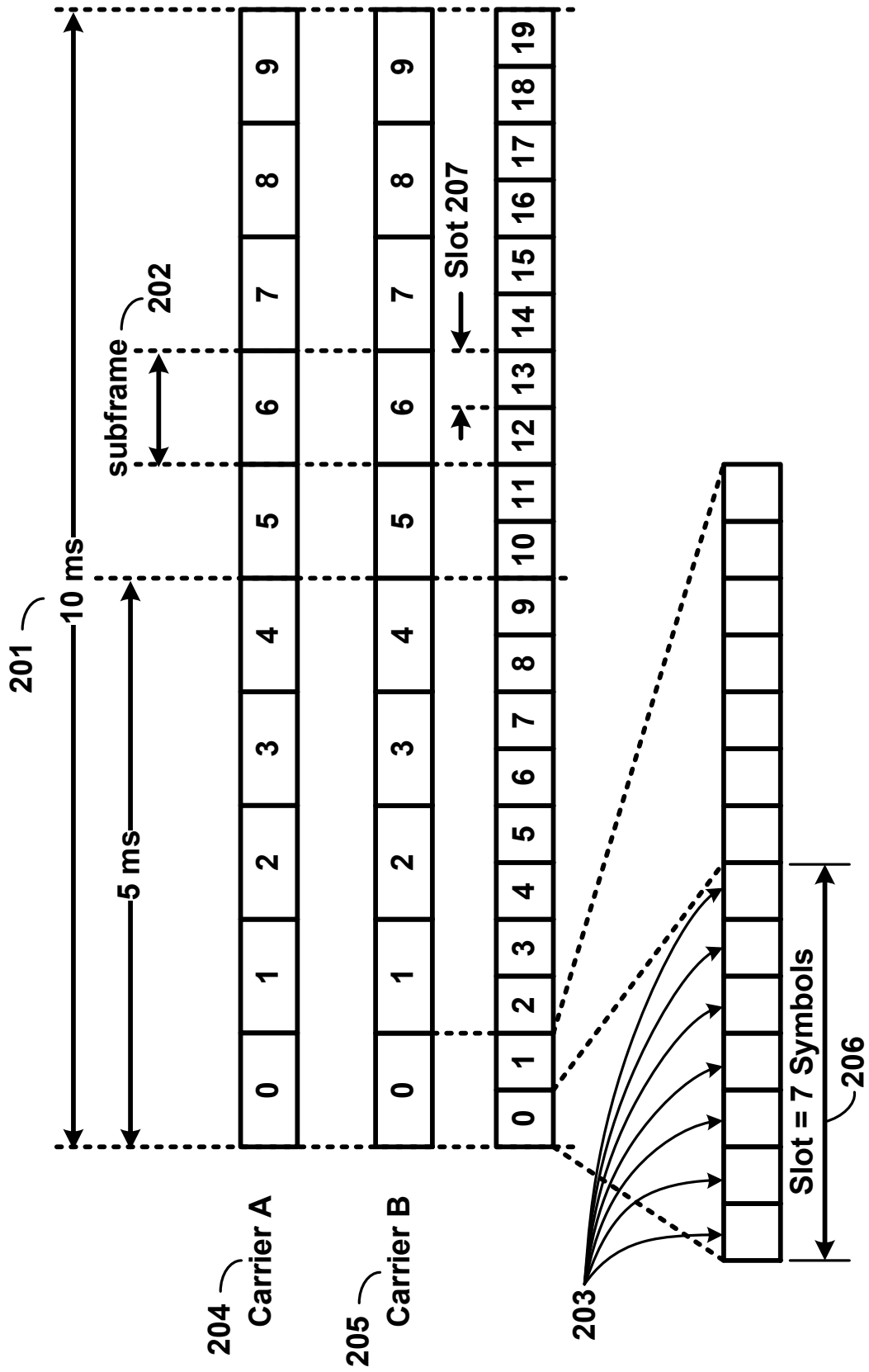


FIG. 2

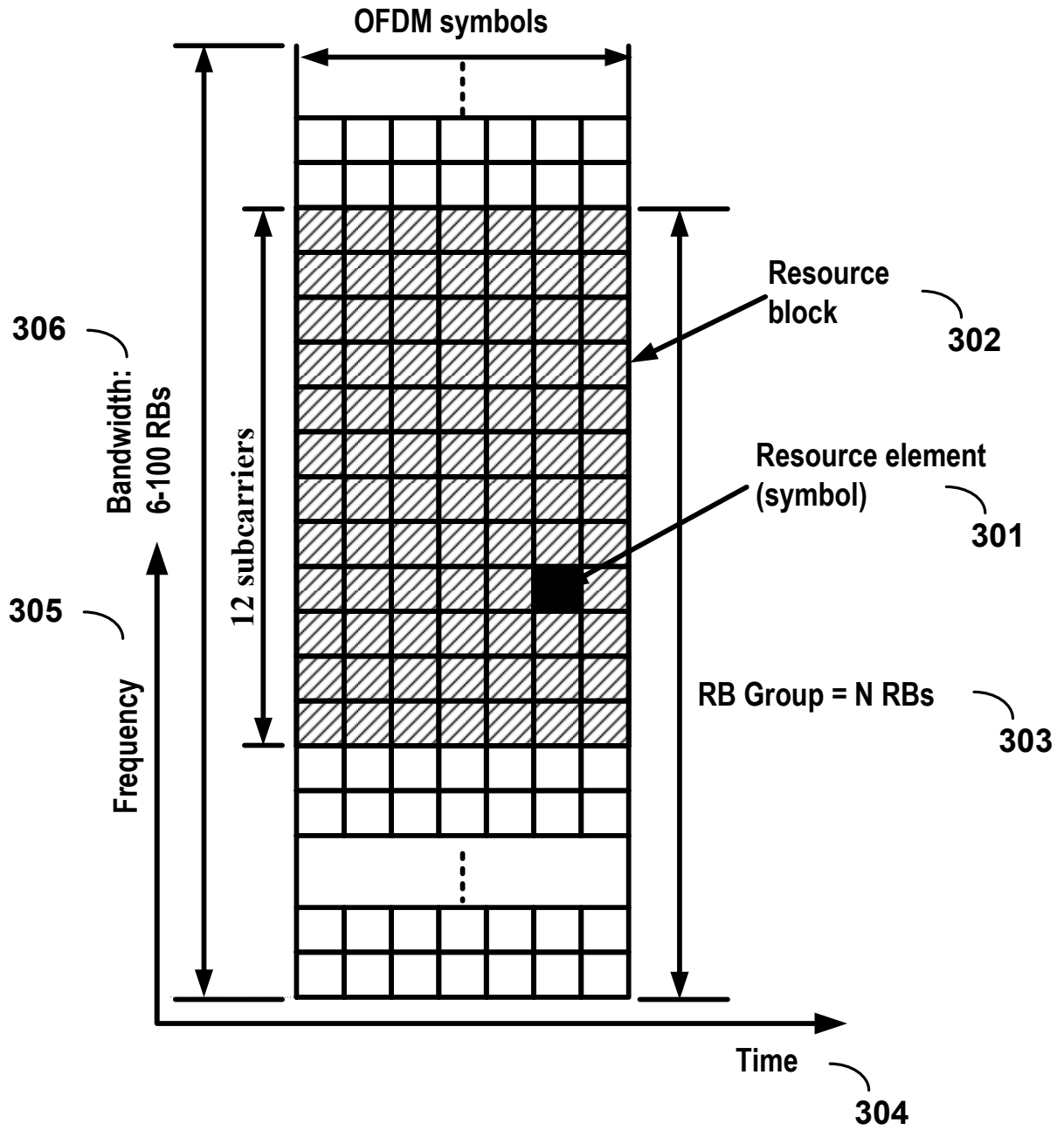


FIG. 3

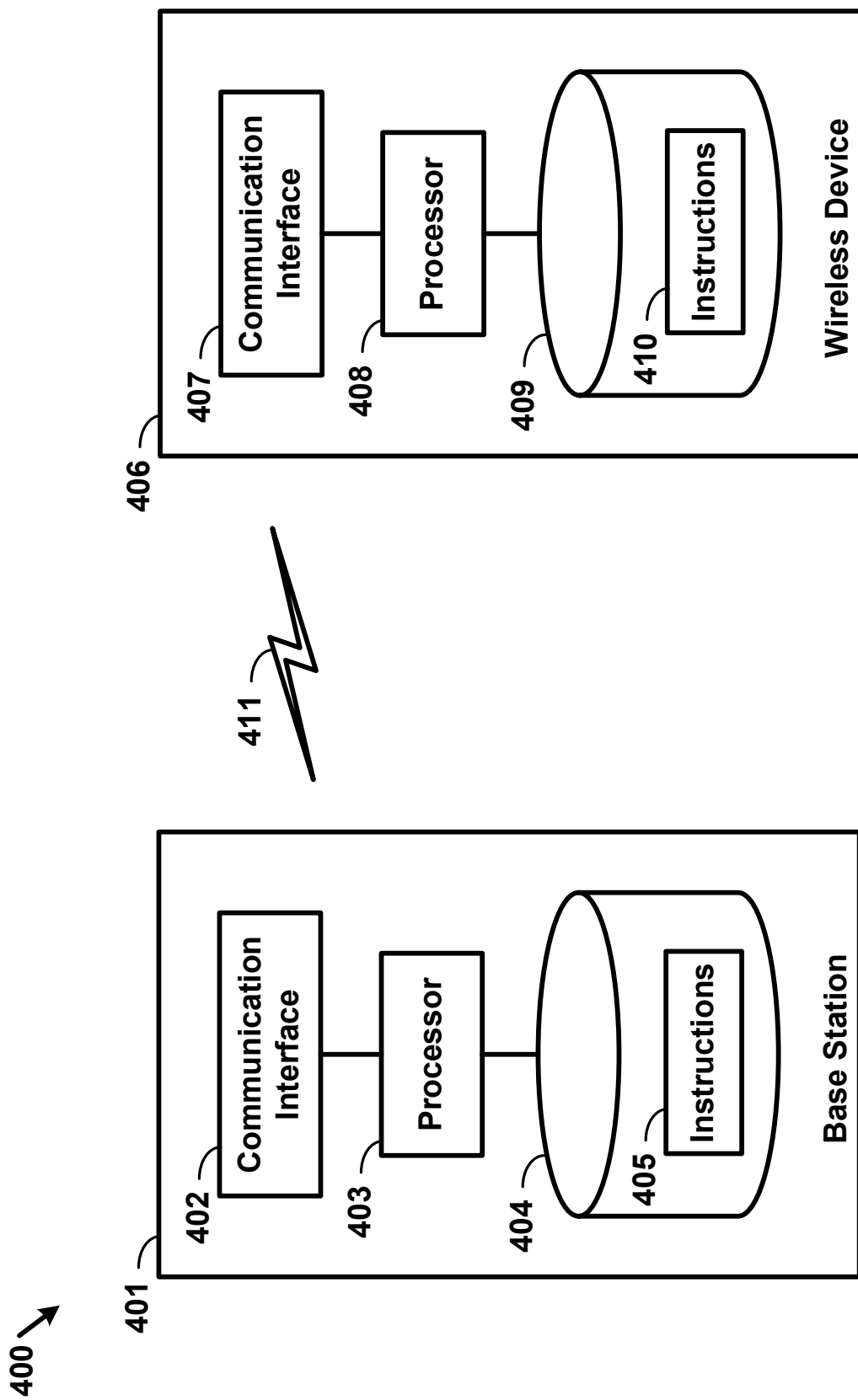


FIG. 4

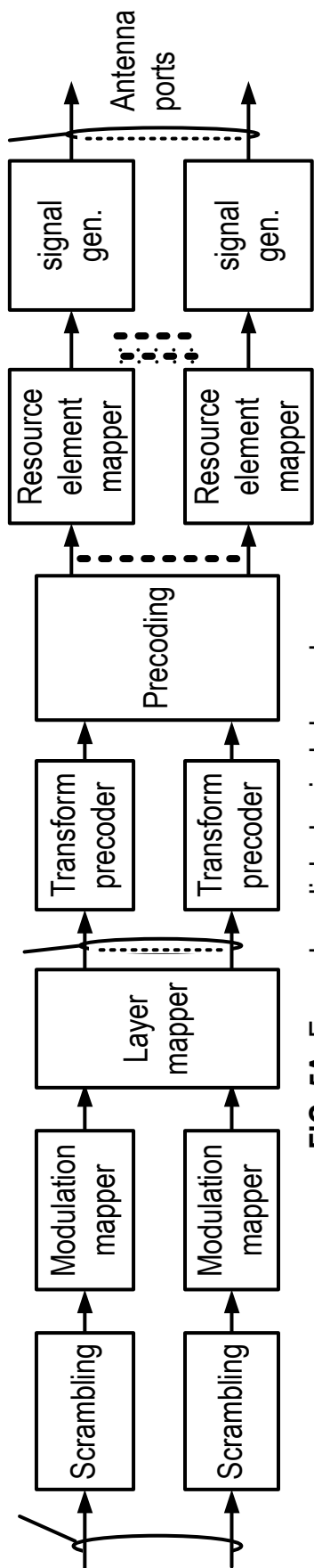


FIG. 5A Example uplink physical channel

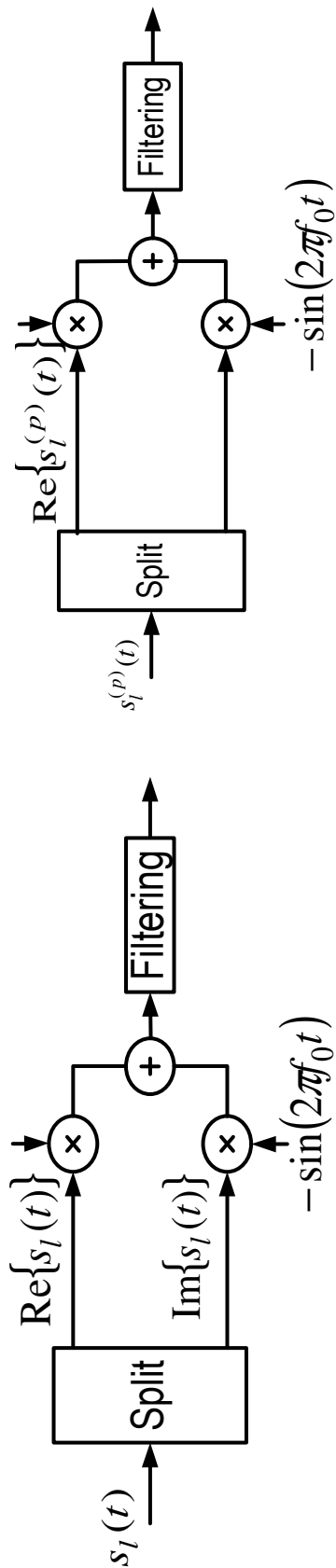


FIG. 5B Example uplink modulation

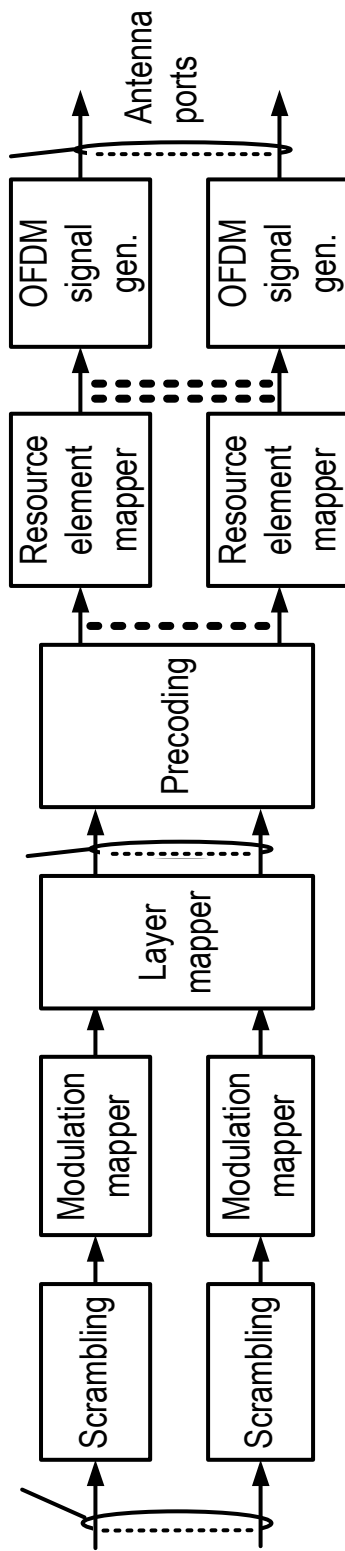


FIG. 5C Example downlink physical channel

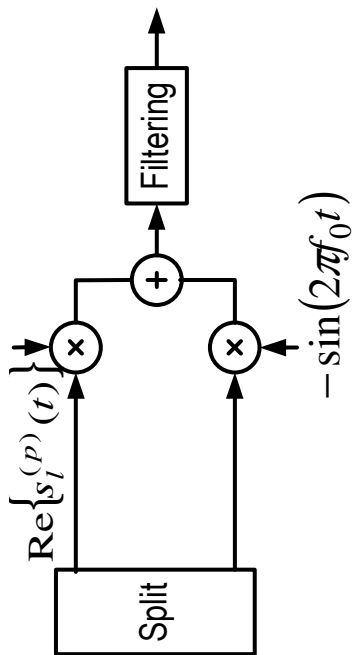
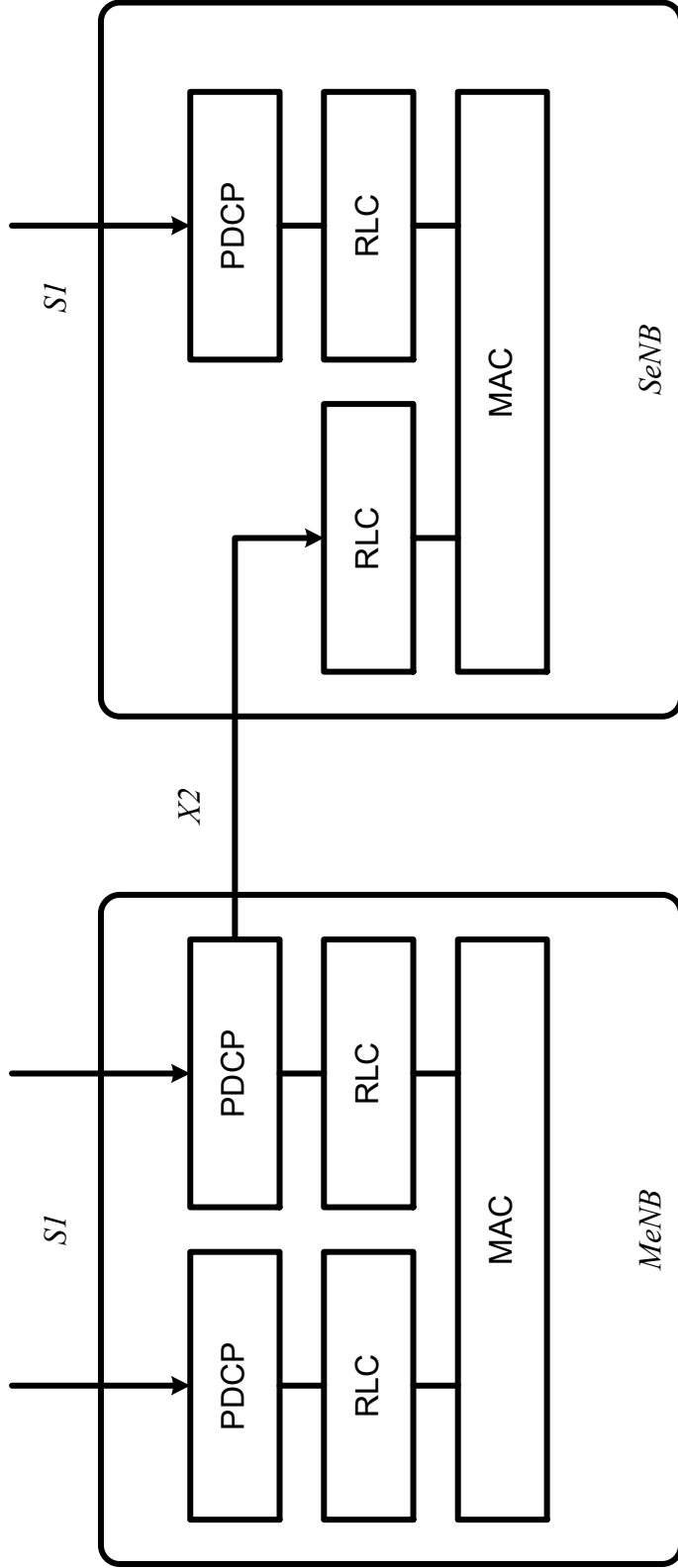
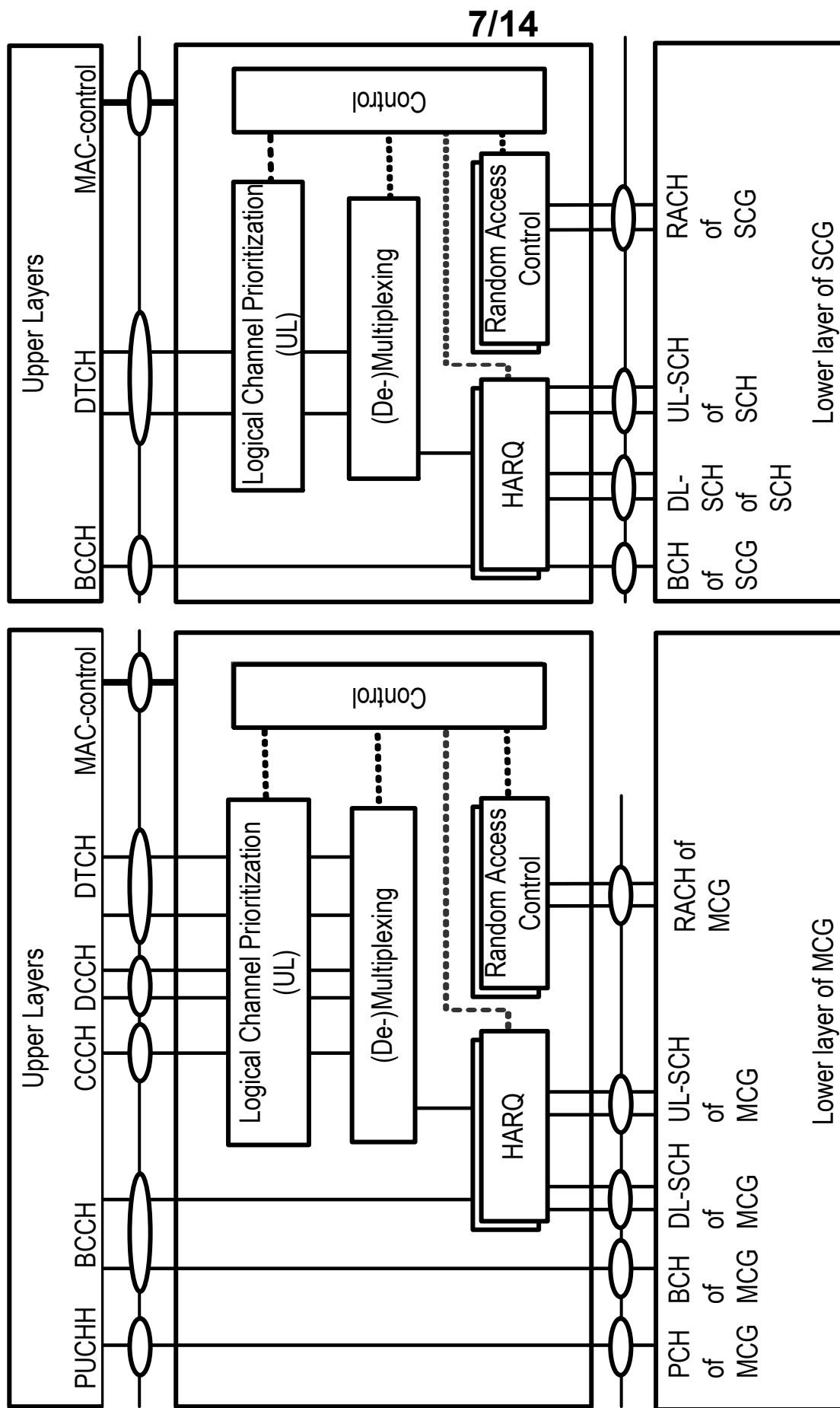


FIG. 5D Example downlink modulation



Dual-Connectivity at eNB

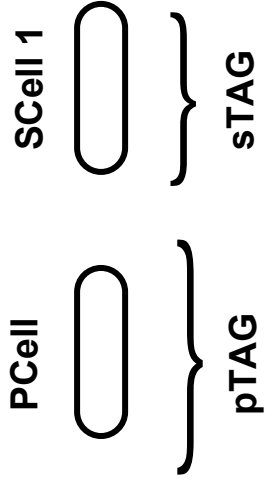
FIG. 6



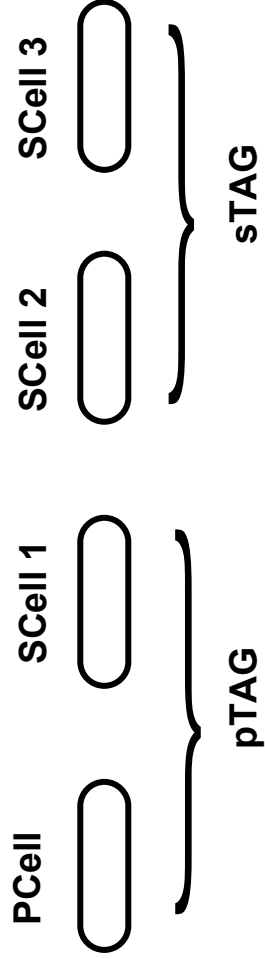
Dual-Connectivity- two MAC entities at UE side

**FIG. 7**

Example 1:



Example 2:



Example 3:

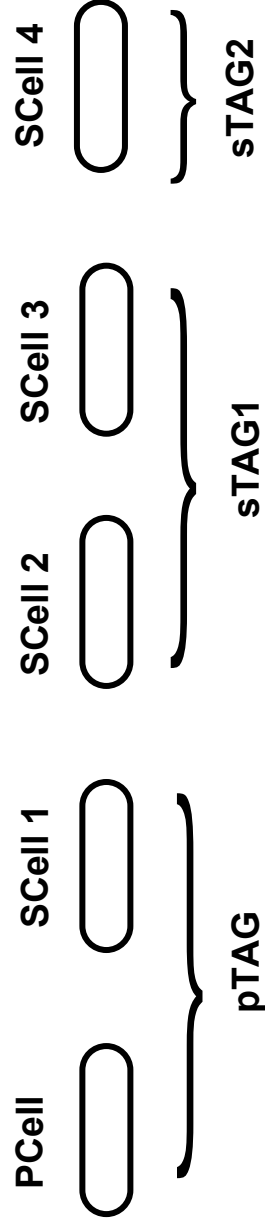


FIG. 8



9/14

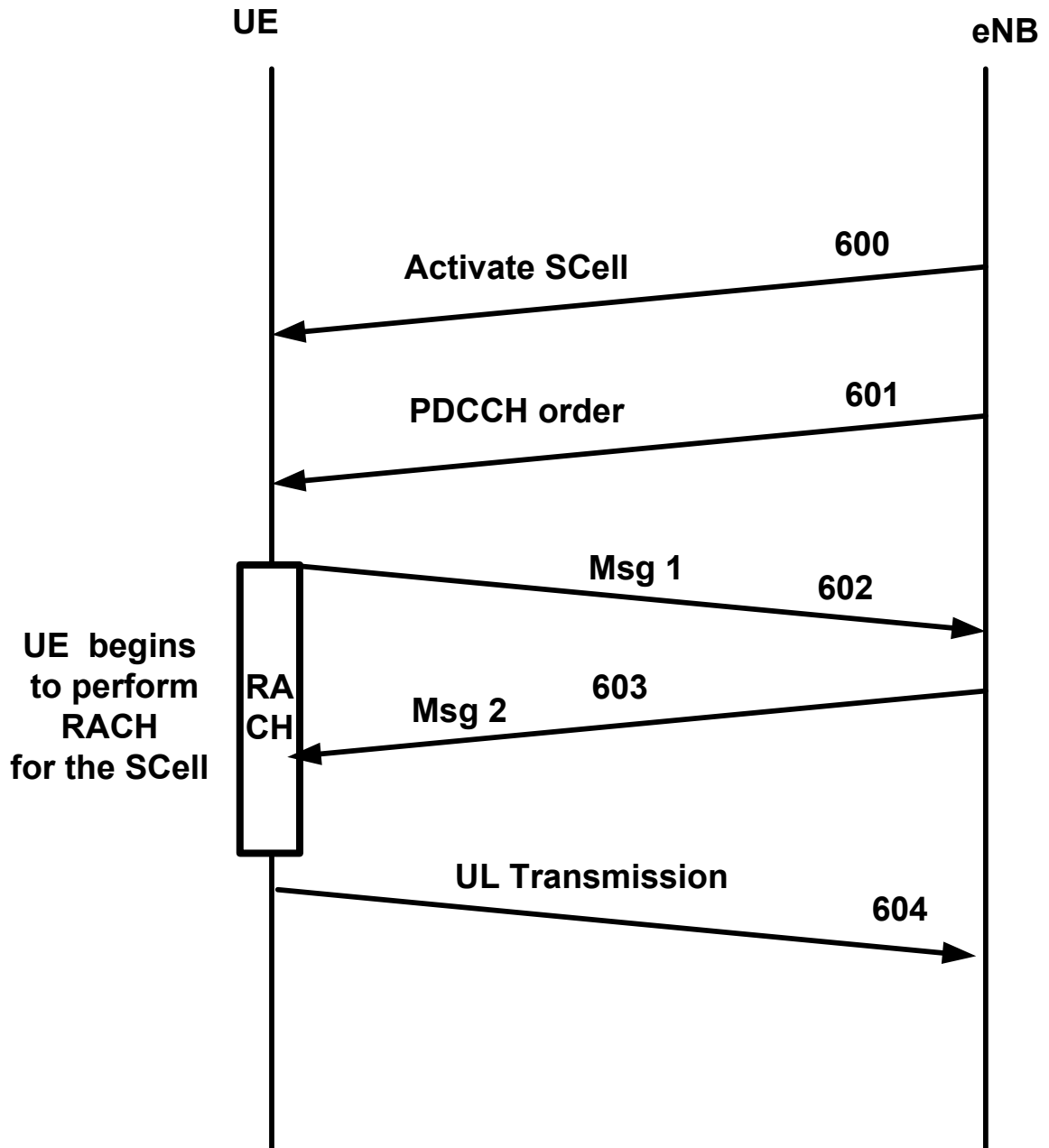


FIG. 9

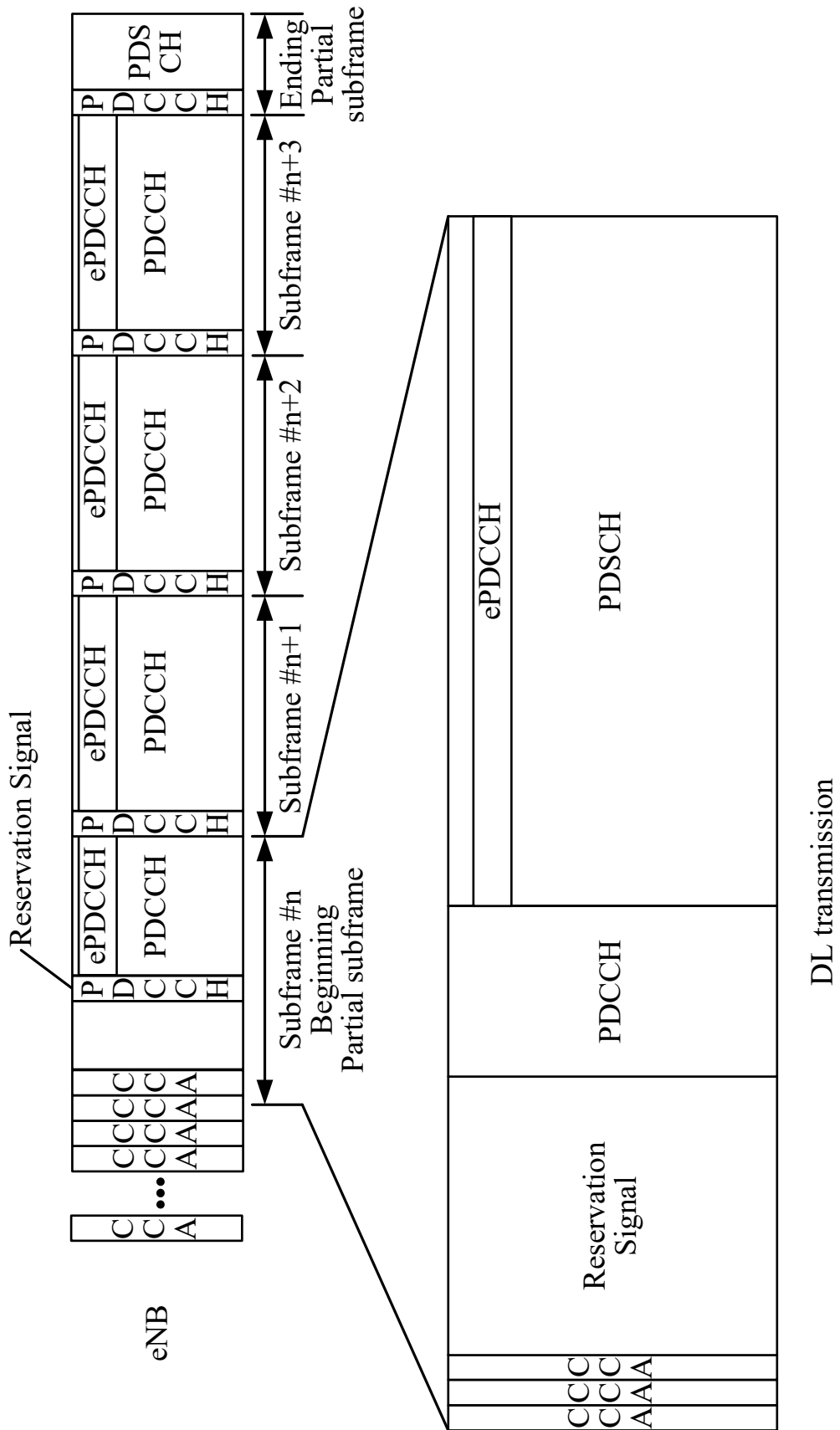
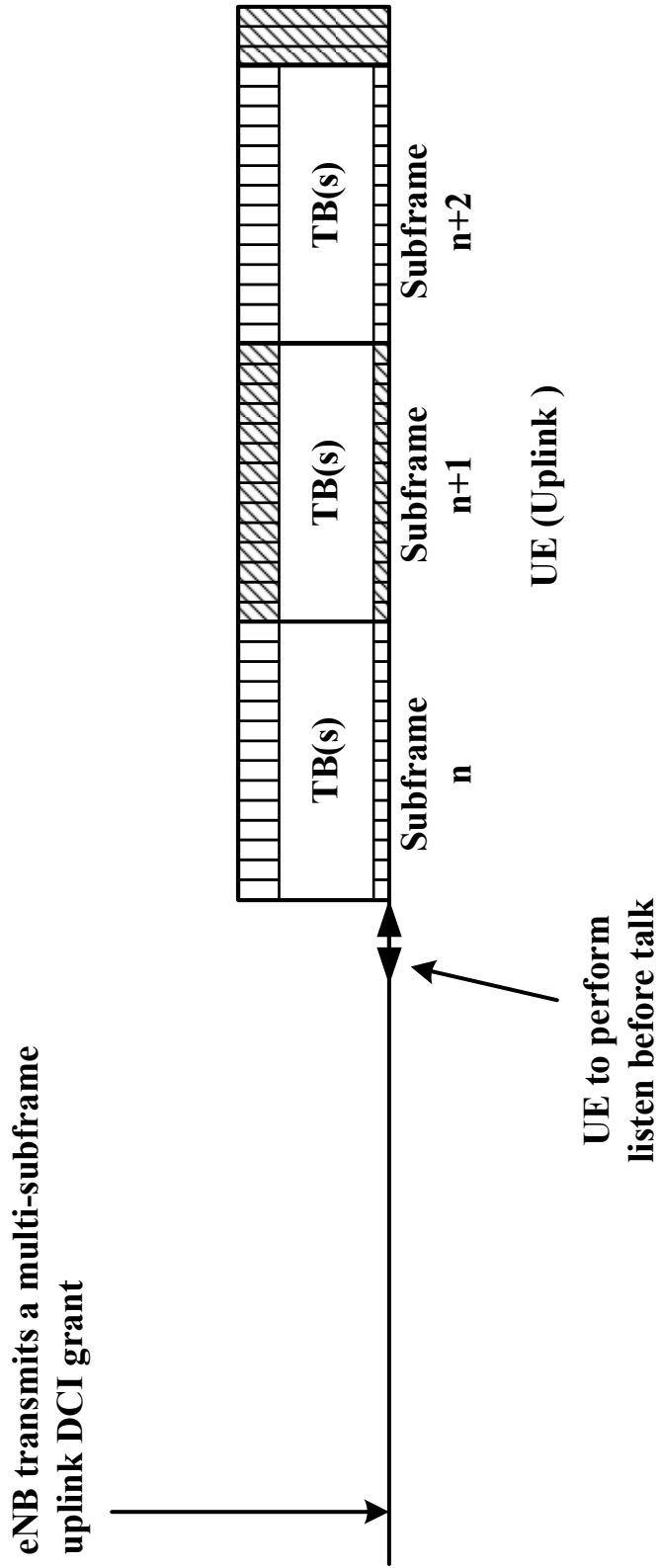
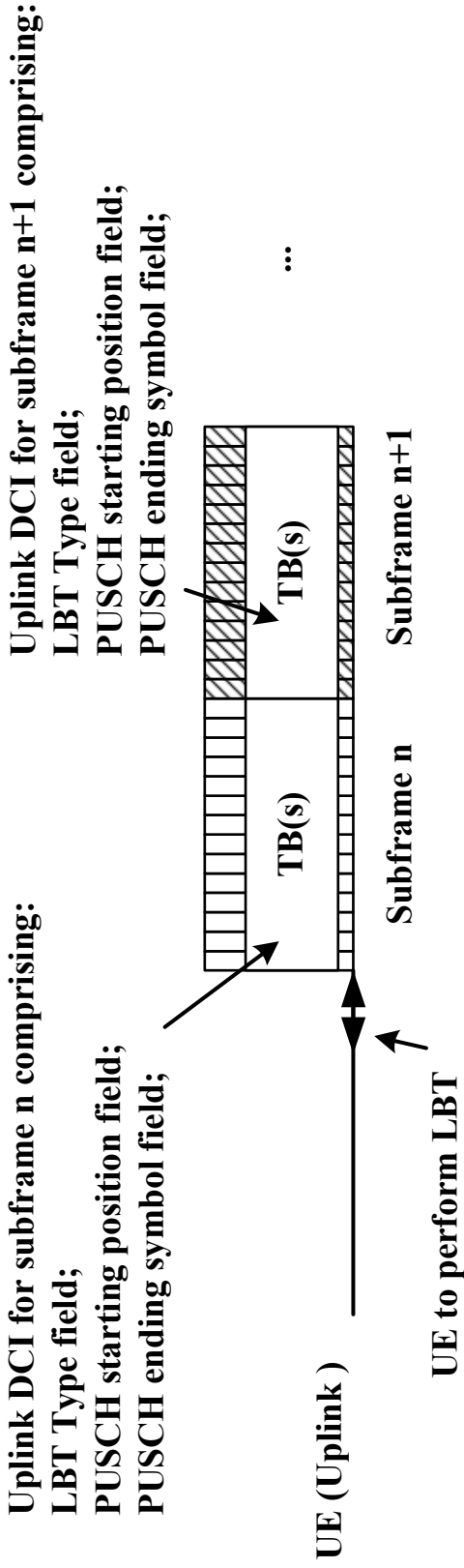


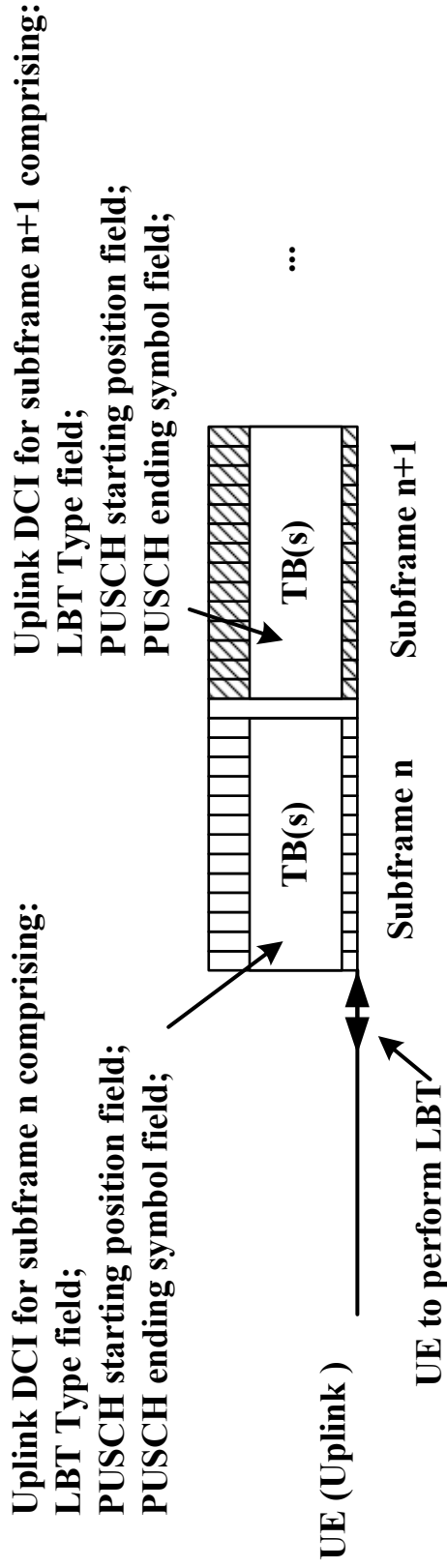
FIG. 10



**FIG. 11**



Example A



Example B

**FIG. 12**

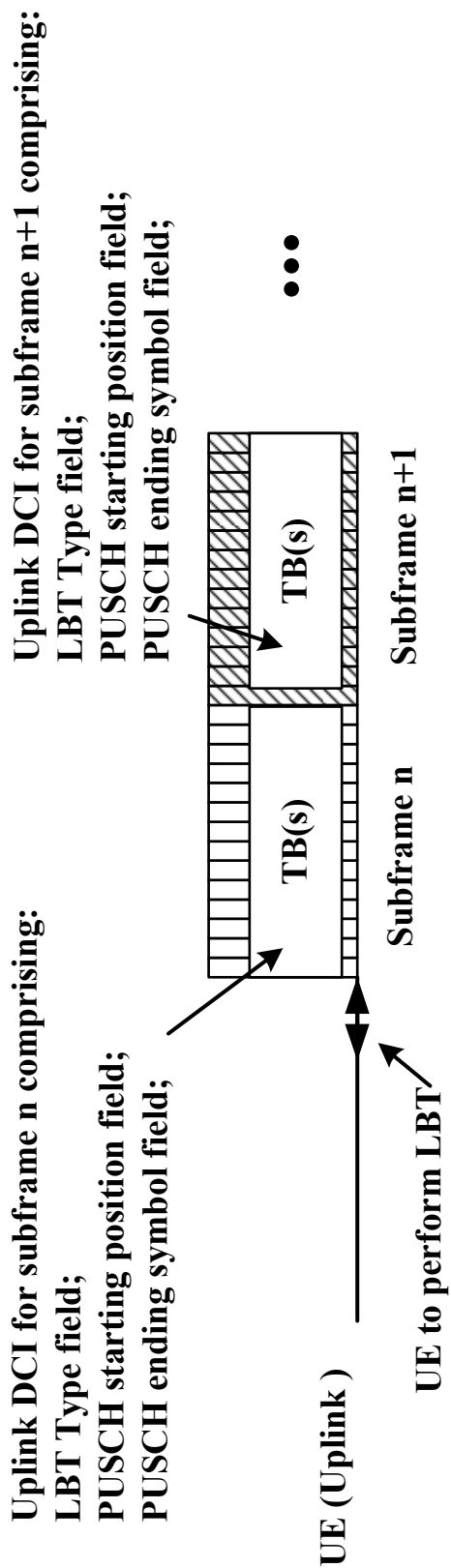
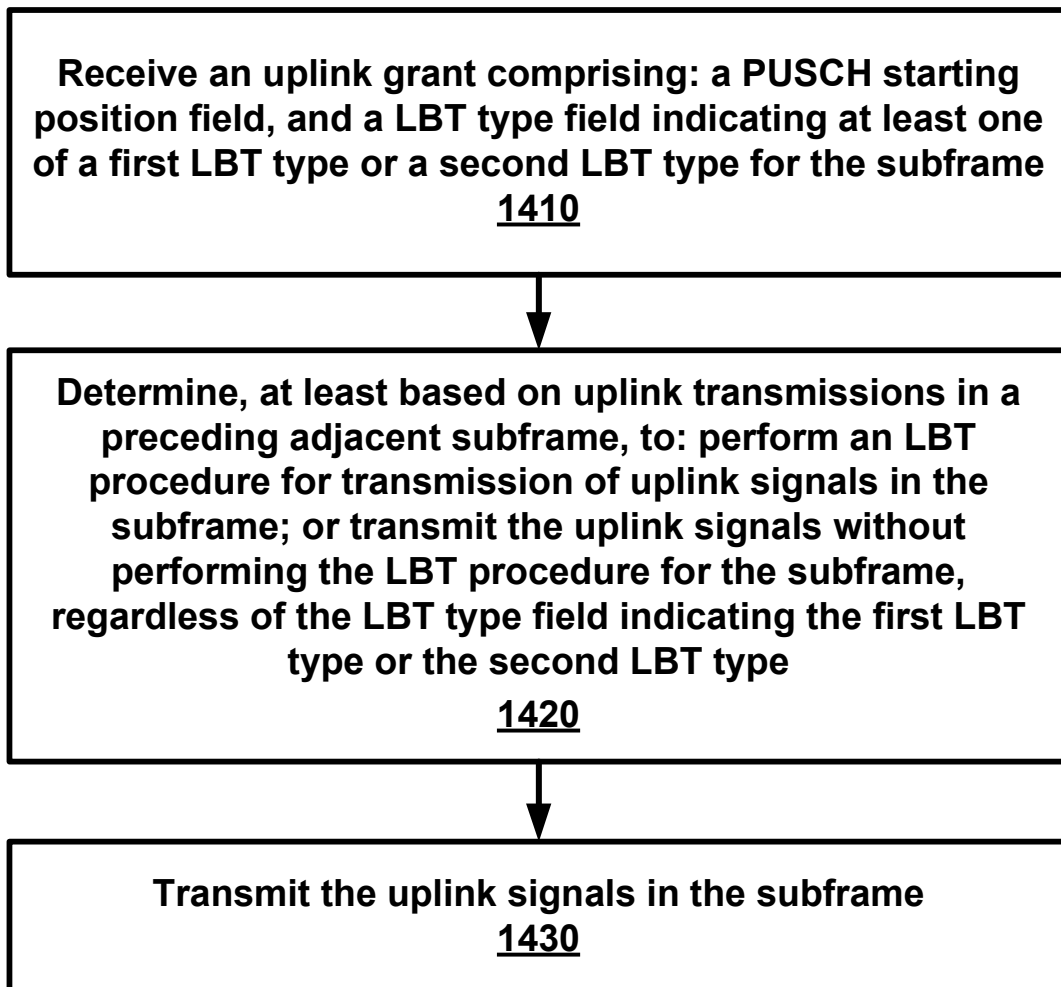


FIG. 13

**14/14**



**FIG. 14**